

**DESCRIPTION**

This is a high radiance 472 nm Blue LED optimized for applications requiring high Radiant intensity and sunlight visibility.

**FEATURES**

- 472 nm Blue
- High Radiant Flux, 20 mW typical
- High Reliability
- Hermetic Package
- 12 Degree Half angle of light emission
- Available screened to MIL-PRF-19500

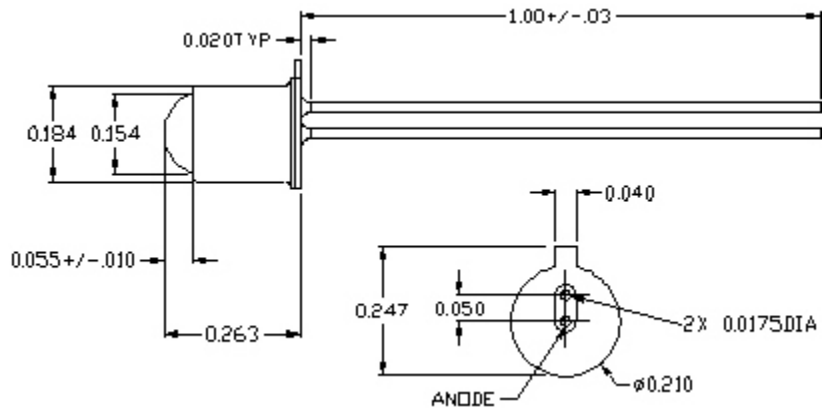
**ABSOLUTE MAXIMUM RATINGS**

- Storage temperature..... -65°C to +125°C
- Case operating temperature -55°C to +100°C
- Lead solder temperature..... 260°C, 10 seconds
- Continuous forward current.. 50 mA
- Peak Forward Current..... 100 mA \1
- Reverse Voltage..... 5 Volts

\1 100µsec pulse width, 1 kHz

**OUTLINE DIMENSIONS**

Tolerances are +/-0.005 inches, except as noted



**Pinout**

1. Anode
2. Cathode

The case is electrically isolated from the pins.

**ELECTRO-OPTICAL CHARACTERISTICS (Case T = 25°C)**

PARAMETER	TEST CONDITION	SYMBOL	MIN	TYP	MAX	UNIT
Forward Voltage	I <sub>f</sub> = 20 mA	V <sub>f</sub>	2.7	3.2	3.7	Volts
Reverse Current	V <sub>r</sub> = 5V	I <sub>r</sub>			2.0	µA
Half Angle at Half Power		θ <sub>1/2</sub>		12		DEG
Radiant Flux	I <sub>f</sub> = 20 mA, 0 degrees		15	20		mW
Peak Wavelength	I <sub>f</sub> = 20 mA	λ <sub>p</sub>	465	472	475	nm

distributed by



Ohmstrasse 4  
 85716 Unterschleissheim  
[www.imm-photonics.de](http://www.imm-photonics.de)

Tel.: +49 89 3214120  
 Fax.: +49 89 32141211  
[sales@imm-photonics.de](mailto:sales@imm-photonics.de)