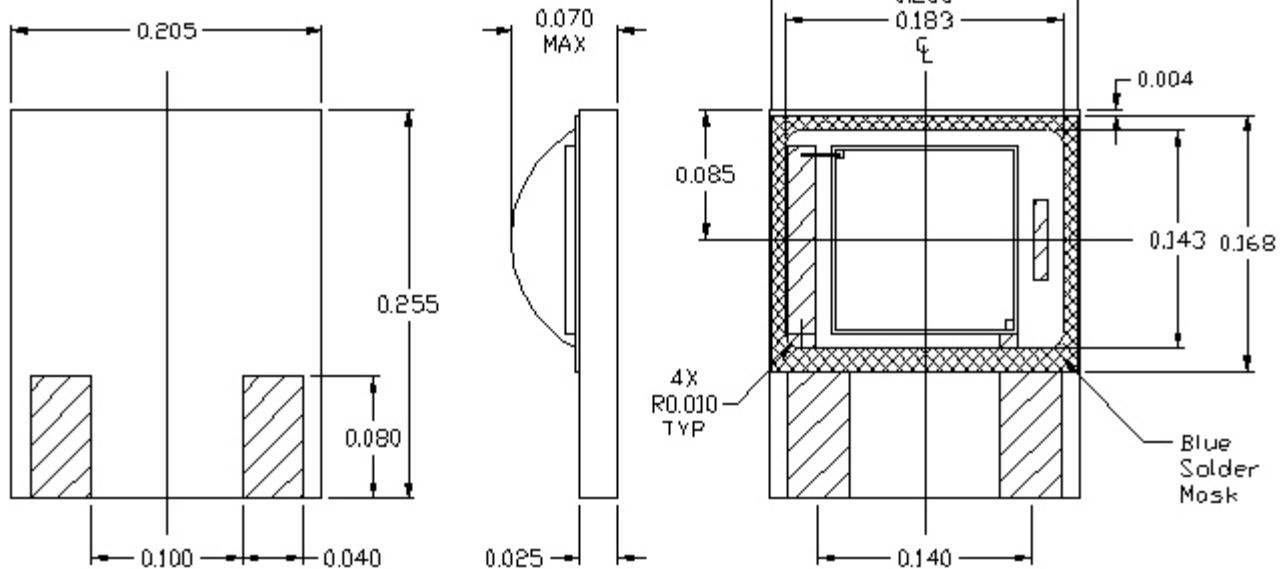


**DESCRIPTION**

This is a large area Silicon PIN detector optimized for ratio-metric applications requiring high Responsivity and high reliability.

**FEATURES**

- High Speed and high Responsivity
- High Reliability surface mount ceramic package
- Large active area



**ABSOLUTE MAXIMUM RATINGS**

- Storage temperature..... -40°C to +80°C
- Case operating temperature..... -40°C to +80°C
- Lead solder temperature..... 240°C, 3 seconds

**OUTLINE DIMENSIONS**

Tolerances are +/-0.005 inches, except as noted

Pin 1 - Anode, Pin 2 - Cathode

PARAMETER	TEST CONDITION	SYMBOL	MIN	TYP	MAX	UNIT
Reverse Breakdown Voltage	$I_r = 10 \mu A, H = 0 mW$	$V_{BR}$	50	100		Volts
Responsivity	$H = 10 \mu W, V_r = 5 Volts$ $\lambda = 900 nm$	$R_{c1}$	.60	.65		A/W
Responsivity	$H = 10 \mu W, V_r = 5 Volts$ $\lambda = 660 nm$	$R_{c2}$	.35	.37		A/W
Dark Current	$V_r = 10 Volts, H = 0 mW$	$I_d$		5.0	10.0	nA
Spectral Response		$\lambda$	400		1100	nm
Capacitance	$V_r = 0V$	$C$		50	100	pF
Rise/Fall Time	$V_r = 10 Volts, R_L = 1k \Omega$	$t_r/t_f$		50	100	nsec

**ELECTRO-OPTICAL CHARACTERISTICS (Case T = 25°C)**

distributed by