

**DESCRIPTION**

This is a high radiance 584 nm Yellow LED optimized for applications requiring high reliability visible indicators.

**ABSOLUTE MAXIMUM RATINGS**

- Storage temperature..... -65°C to +125°C
- Case operating temperature -65°C to +125°C
- Lead solder temperature.... 260°C, 10 seconds
- Continuous forward current..... 35 mA
- Peak Forward Current..... 1 A  $\sqrt{1}$
- Reverse Voltage..... 5 Volts

$\sqrt{1}$  1 μsec pulse width, 300 Hz

**OUTLINE DIMENSIONS**

Tolerances are +/-0.005 inches, except as noted

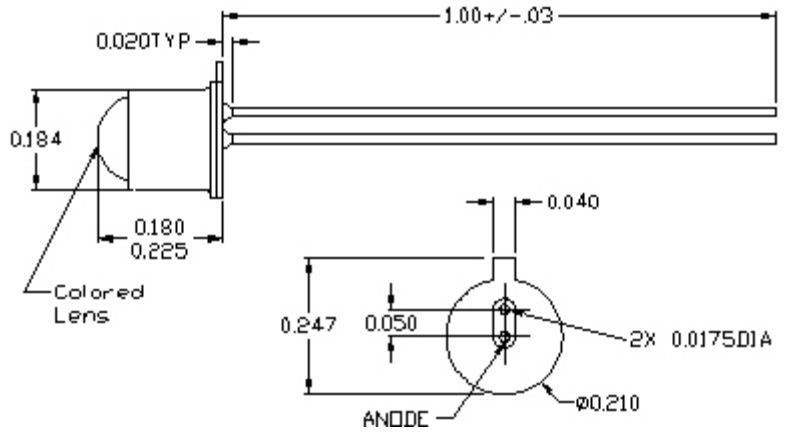
**Pinout**

- 1. Cathode 2. Anode

The case is electrically isolated from the pins.

**FEATURES**

- 584 nm Yellow
- High luminous intensity, 20 mcd typical
- High Reliability
- Hermetic Package
- 30 Degree Half angle of light emission
- Meets 1N6093 specification
- Available screened to MIL-PRF-19500/520



**ELECTRO-OPTICAL CHARACTERISTICS (Case T = 25°C)**

PARAMETER	TEST CONDITION	SYMBOL	MIN	TYP	MAX	UNIT
Forward Voltage	I <sub>f</sub> = 20 mA	V <sub>f</sub>		2.3	3.0	Volts
Reverse Current	V <sub>r</sub> = 3V	I <sub>r</sub>			1.0	μA
Half Angle at Half Power		θ <sub>1/2</sub>		12		DEG
Capacitance	V <sub>r</sub> = 0 V, f = 1 MHz	C			100	pF
Luminous Intensity 1	I <sub>f</sub> = 20 mA, 0 degrees	I <sub>v1</sub>	3	20		mcd
Luminous Intensity 2	I <sub>f</sub> = 20 mA, 30 degrees	I <sub>v2</sub>	1.5			mcd
Peak Wavelength	I <sub>f</sub> = 20 mA	λ <sub>p</sub>	550	584	660	nm

distributed by



Ohmstrasse 4  
 85716 Unterschleissheim  
[www.imm-photonics.de](http://www.imm-photonics.de)

Tel.: +49 89 3214120  
 Fax.: +49 89 32141211  
[sales@imm-photonics.de](mailto:sales@imm-photonics.de)