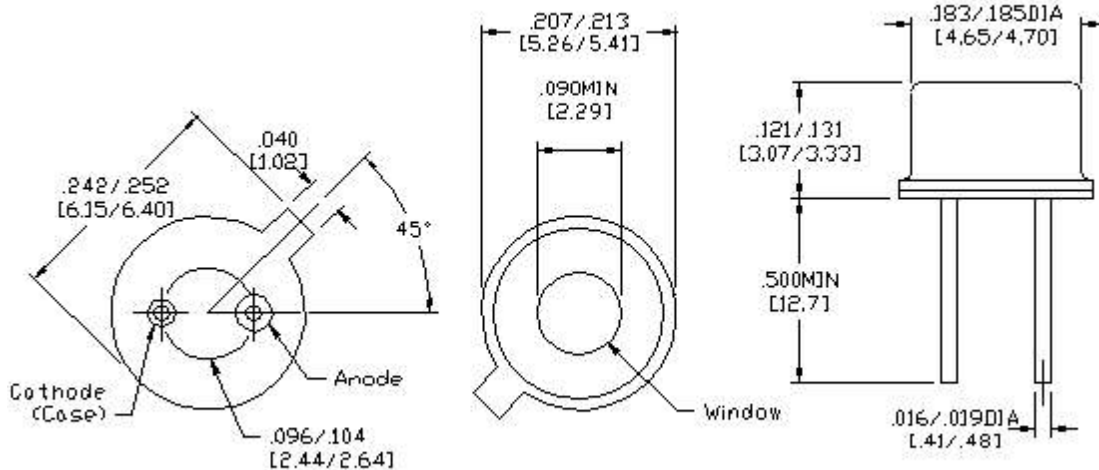


DESCRIPTION

This is a high speed InGaAs detector optimized for fiber optic applications requiring high Responsivity and a fast response time.

FEATURES

- High Responsivity
- High Electrical Bandwidth/Fast response time
- High Reliability/Hermetic Package
- 300 µm Diameter Active Area



ABSOLUTE MAXIMUM RATINGS

- Storage temperature..... -55°C to +125°C
- Case operating temperature..... -40°C to +85°C
- Lead solder temperature..... 260°C, 10 seconds
- Reverse Breakdown Voltage..... 15 Volts
- Reverse Current..... 5 mA
- Forward Current..... 25 mA

OUTLINE DIMENSIONS

Tolerances are +/-0.005 inches, except as noted
The case is electrically isolated from the pins.

PARAMETER	TEST CONDITION	SYMBOL	MIN	TYP	MAX	UNIT
Dark Current	Vr = 5 Volts, H = 0 mW	Id		3	10	nA
Capacitance	Vr = 0 V, f = 1 MHz	C		4	10	pF
Responsivity	Vr = 5 Volts λ = 1.31 µm	R _c	.75	0.85		A/W
Responsivity	Vr = 5 Volts λ = 1.55 µm	R _c	.85	1.0		A/W
Spectral Response		λ	800		1700	nm
Response Time	10%-90%, Vr = 5 Volts	t _r t _f		3 3		nsec nsec

ELECTRO-OPTICAL CHARACTERISTICS (Case T = 25°C)

distributed by