

**DESCRIPTION**

This is a high radiance InGaAs IR LED optimized for fiber optic applications requiring high power and a fast response time.

**FEATURES**

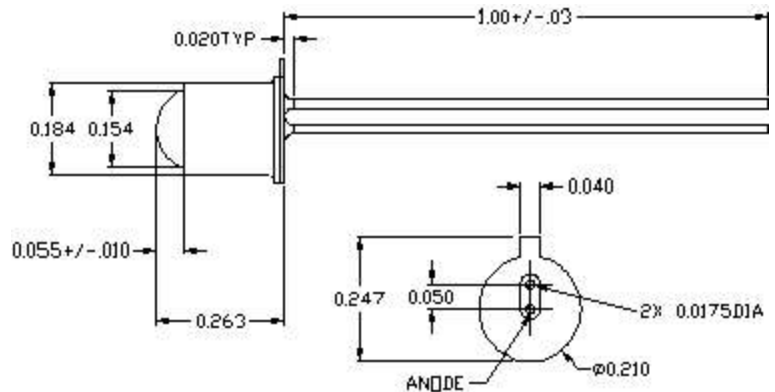
- Internal lensing for efficient fiber coupling
- High Electrical Bandwidth/Fast response time
- High Reliability
- Hermetic Package
- 6 Degree Half angle of light emission

**ABSOLUTE MAXIMUM RATINGS**

- Storage temperature..... -65°C to +125°C
- Case operating temperature -40°C to +85°C
- Lead solder temperature.... 260°C, 10 seconds
- Continuous forward current..... 100 mA
- Reverse Voltage..... 1 Volt

**OUTLINE DIMENSIONS**

Tolerances are +/-0.005 inches, except as noted



**Pinout**

1. Anode
2. Cathode

The case is electrically isolated from the pins.

**ELECTRO-OPTICAL CHARACTERISTICS (Case T = 25°C)**

PARAMETER	TEST CONDITION	SYMBOL	MIN	TYP	MAX	UNIT
Forward Voltage	I <sub>f</sub> = 100 mA	V <sub>f</sub>		1.3	2.25	Volts
Reverse Voltage	I <sub>r</sub> = 10 μA	BVR	1.0			Volts
Half Angle at Half Power		θ <sub>1/2</sub>		2	6	DEG
Capacitance	V <sub>r</sub> = 0 V, f = 1 MHz	C		70		pF
Total Optical Power	I <sub>f</sub> = 100 mA	P <sub>out</sub>	0.3	0.8		mW
Response Time	10%-90%, 1V Prebias I <sub>f</sub> = 100 mA	t <sub>r</sub>		4	12	nsec
		t <sub>f</sub>		6	12	nsec
Peak Wavelength	I <sub>f</sub> = 100 mA	λ <sub>p</sub>	1280	1310	1350	nm
Spectral Bandwidth	I <sub>f</sub> = 100 mA	Δλ		145		nm
Electrical Bandwidth	I <sub>f</sub> = 100 mA	BWE		85		MHz