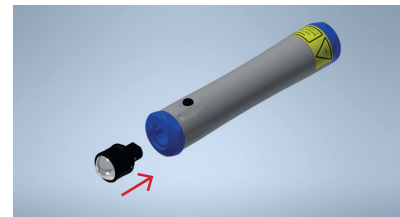


Variolens N / Variolens W



The Variolens N and Variolens W are available as accessories to be fitted to the ilumCURE series of exposure units to order to homogeneously and efficiently cure larger surfaces to which adhesive has been applied.



ART.NO.	VARIOLENS N 1600000071	VARIOLENS W 1600000064
Typical max. optical output power*1 of ilumCURE 1G, ilumCURE 2G with Variolens	239 mW @ 365 nm	130 mW @ 365 nm
Typical optical power density*2 of ilumCURE 1G and ilumCURE 2G with Variolens	287 mW/cm ² @ 5 mm distance 297 mW/cm ² @ 10 mm distance 299 mW/cm ² @ 15 mm distance 269 mW/cm ² @ 20 mm distance 233 mW/cm ² @ 25 mm distance 190 mW/cm ² @ 30 mm distance 117 mW/cm ² @ 40 mm distance 76 mW/cm ² @ 50 mm distance 32 mW/cm ² @ 75 mm distance 17 mW/cm ² @ 100 mm distance 10 mW/cm ² @ 125 mm distance 7 mW/cm ² @ 150 mm distance	147 mW/cm ² @ 5 mm distance 169 mW/cm ² @ 10 mm distance 180 mW/cm ² @ 15 mm distance 183 mW/cm ² @ 20 mm distance 184 mW/cm ² @ 25 mm distance 171 mW/cm ² @ 30 mm distance 143 mW/cm ² @ 40 mm distance 112 mW/cm ² @ 50 mm distance 56 mW/cm ² @ 75 mm distance 32 mW/cm ² @ 100 mm distance 21 mW/cm ² @ 125 mm distance 14 mW/cm ² @ 150 mm distance
Typical illuminated area	8 mm x 8 mm @ 25 mm distance 12,5 mm x 12,5 mm @ 50 mm distance 22 mm x 22 mm @ 75 mm distance 32 mm x 32 mm @ 100 mm distance 41 mm x 41 mm @ 125 mm distance 50 mm x 50 mm @ 150 mm distance	6 mm x 6 mm @ 25 mm distance 9 mm x 9 mm @ 50 mm distance 13,5 mm x 13,5 mm @ 75 mm distance 20,0 mm x 20,0 mm @ 100 mm distance 24,5 mm x 24,5 mm @ 125 mm distance 27,5 mm x 27,5 mm @ 150 mm distance
Focal distance	50 mm to 150 mm	25 mm to 125 mm

Individual. Innovative. Exceptional.

Variolens N / Variolens W

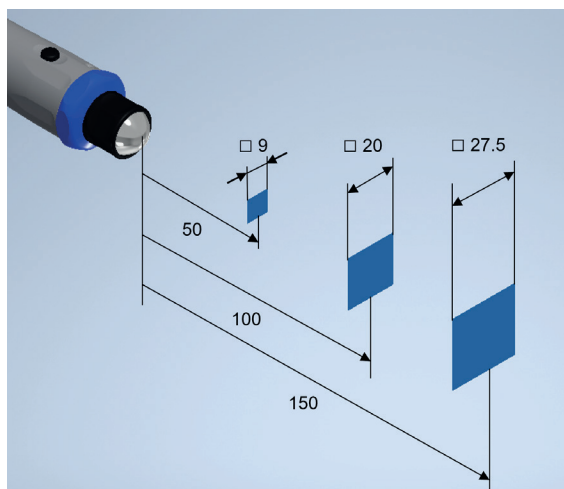
ART.NO.	VARIOLENS N 160000071	VARIOLENS W 160000064
Focusing	By rotating the lens holder	
Adjustment range of the lens holder	3 mm	
Weight / material	Approx. 8 g / glas, anodised aluminium	
Dimensions	Total length: 33 mm, diameter 18 mm	
Total dimensions ilumCURE 1G and ilumCURE 2G with Variolens	Length: max. 157 mm Diameter: max. 27.5 mm	
Operating / storage temperature	+5 °C to +45 °C / -10 °C to +70 °C	
Humidity	5 % to 95 % r. h. (non-condensing)	
Included accessories	Hexagon wrench (size 0.9 mm) for locking the lens holder	

*1 Measured with Optometer Gigahertz P9710 and Ulbricht Sphere ISD-5P-SiUV-2, 100% intensity

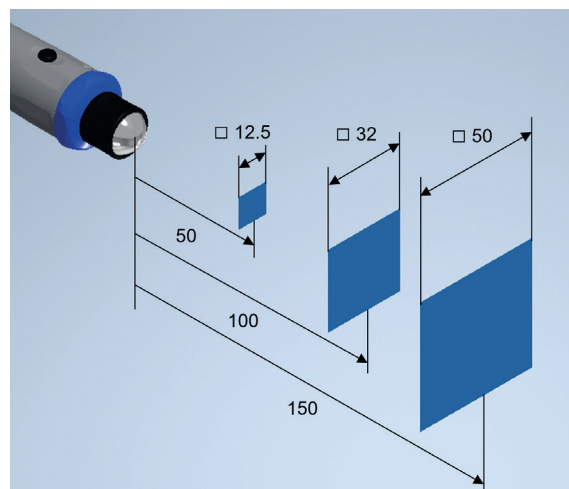
*2 Measured with Hoenle UV-Meter μ C Basic 16501 and Detector Head 16401/ UV-A D1 E110, 100% intensity

ILLUMINATED AREA VS. WORKING DISTANCE

Variolens N



Variolens W

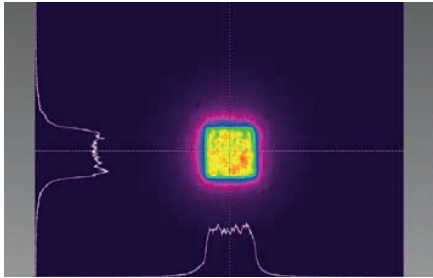


Individual. Innovative. Exceptional.

Variolens N / Variolens W

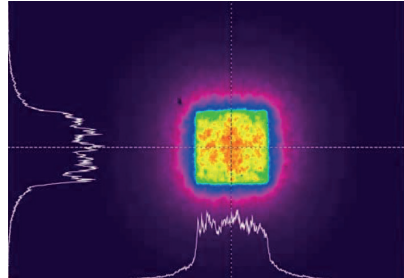
BEAM PROFILES

Variolens N

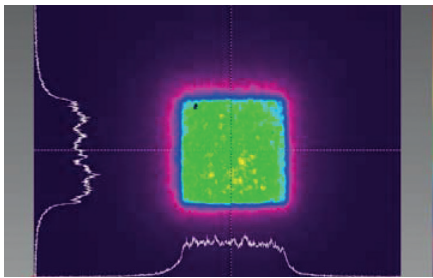


Beam profile at a distance of 50 mm

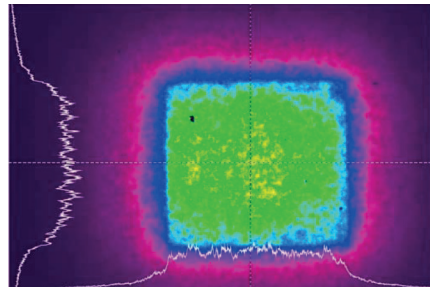
Variolens W



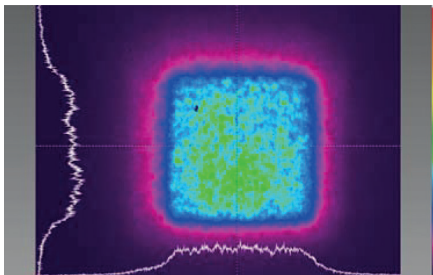
Beam profile at a distance of 50 mm



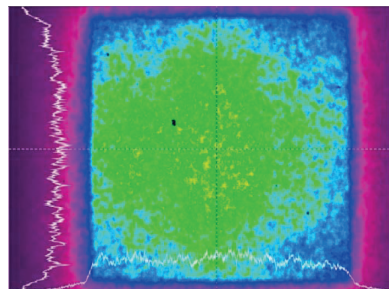
Beam profile at a distance of 100 mm



Beam profile at a distance of 100 mm



Beam profile at a distance of 150 mm



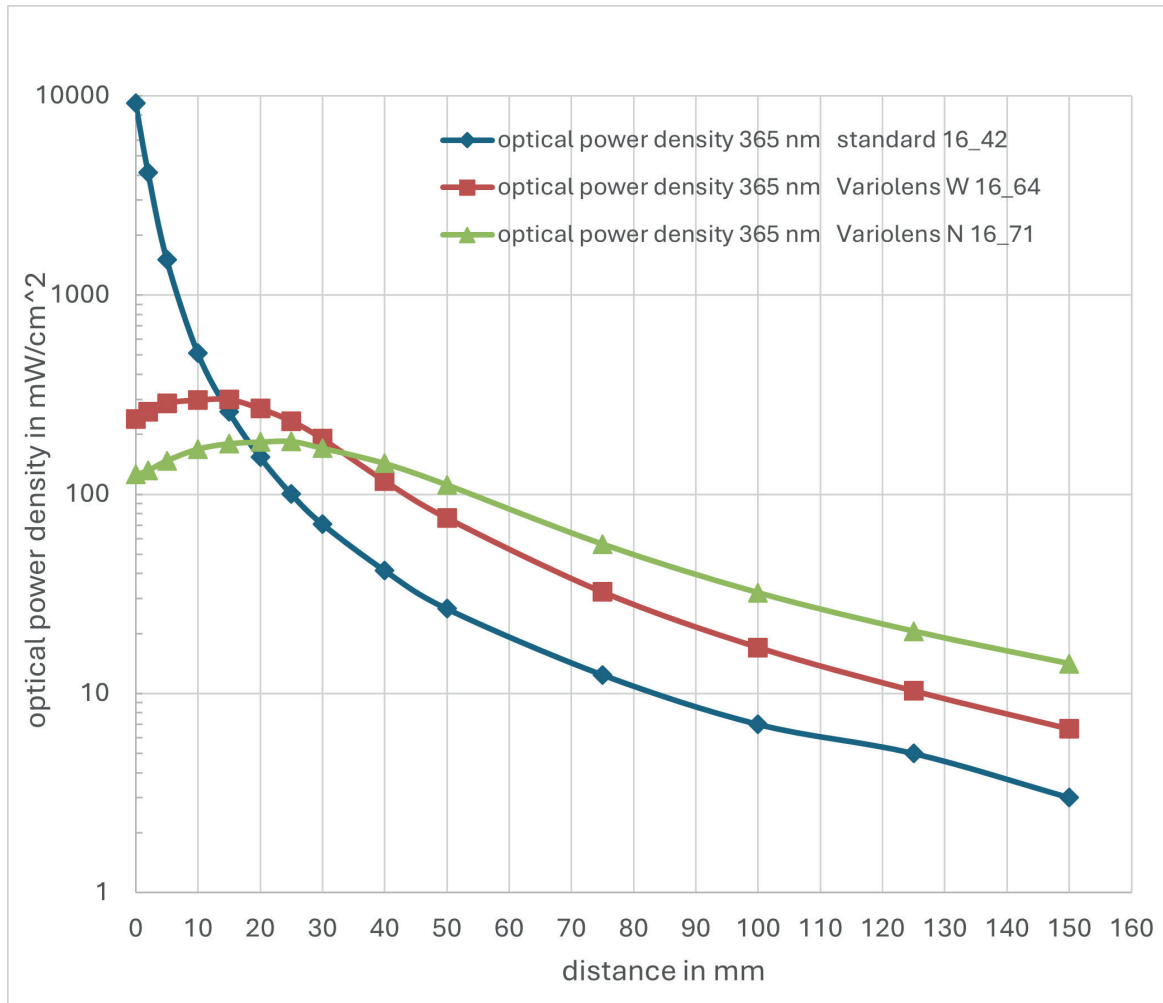
Beam profile at a distance of 150 mm

Individual. Innovative. Exceptional.

IMM Photonics GmbH | Ohmstraße 4 | 85716 Unterschleißheim | Germany | imm-photonics.de

Variolens N / Variolens W

COMPARISON - EXPOSURE ADAPTERS FOR ILUMCURE



Subject to technical modifications. As per October 2024.

WE LOOK FORWARD
to solving your challenge

Individual. Innovative. Exceptional.

IMM Photonics GmbH | Ohmstraße 4 | 85716 Unterschleißheim | Germany | imm-photonics.de

