

# QDLASER

## QLD1161-2030/8030 series

1120/1180 nm DFB Laser Butterfly Package

Preliminary

C00108-02 August 2015



### 1. DESCRIPTION

The QLD1161-2030/8030 series are 1120/1180-nm distributed feedback (DFB) lasers for use in scientific and industrial applications. The laser is assembled into a 14-pin butterfly package with an optical isolator, a monitor PD and a thermo-electric cooler.

### 2. FEATURES

- Single longitudinal mode operation at 1120 or 1180 nm
- Fiber-pigtailed 14-pin butterfly package with a TEC
- Optical isolator integration
- Polarization maintaining fiber integration
- Two types of pigtailed fiber diameter are available: 900  $\mu\text{m}$  or 250  $\mu\text{m}$

### 3. APPLICATIONS

- Seed source for SHG
- Sensing

### 4. ABSOLUTE MAXIMUM RATINGS

PARAMETER	SYMBOL	RATING	UNIT
Optical Output power	$P_f$	50	mW
LD Forward Current	$I_f$	250	mA
LD Reverse Voltage	$V_{RLD}$	2	V
TEC Drive Current	$I_{TEC}$	2	A
TEC Drive Voltage	$V_{TEC}$	4.3	V
Operation Temperature	$T_c$	0 to 60	$^{\circ}\text{C}$
Storage Temperature	$T_{stg}$	-40 to 85	$^{\circ}\text{C}$
Lead Soldering Temperature (5 s)	$T_{sld}$	230	$^{\circ}\text{C}$

Distributed by  imm photonics

Ohmstrasse 4, 85716 Unterschleissheim, Germany

www.imm-photonics.de sales@imm-photonics.de Tel.: +49 89 / 3214120

## 5. OPTICAL AND ELECTRICAL CHARACTERISTICS

( $T_{LD} = 25^{\circ}\text{C}$ , unless otherwise specified)

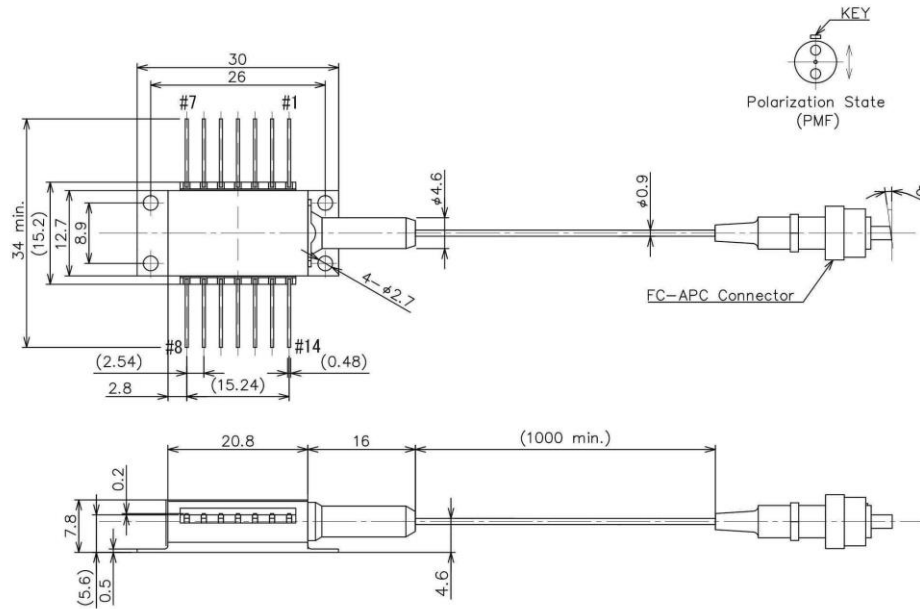
PARAMETER		SYMBOL	TEST CONDITION	MIN	TYP	MAX	UNIT
Peak Wavelength	QLD1161-2030	$\lambda_p$	CW, $P_f=30$ mW	1115*	1120	1125*	nm
	QLD1161-8030			1175*	1180	1185*	
Temperature Coefficient of $\lambda_p$		$d\lambda_p/dT$	CW	-	0.08	-	nm/K
Current Coefficient of $\lambda_p$		$d\lambda_p/dI$	CW	-	0.01	-	nm/mA
Fiber Output Power		$P_f$	CW	30	-	-	mW
Threshold Current		$I_{th}$	CW	-	30	-	mA
Operation Current		$I_{op}$	CW, $P_f=30$ mW	-	150	200	mA
Operation Voltage		$V_{op}$	CW, $P_f=30$ mW	-	1.7	2.0	V
Sidemode Suppression Ratio		SMSR	CW, $P_f=30$ mW	-	40	-	dB
Polarization Extinction Ratio		PER	CW, $P_f=30$ mW	15	20		dB
Monitor PD Current		$I_m$	CW, $P_f=30$ mW	50	100	1000	$\mu\text{A}$
Thermistor Resistance		$R_{th}$	$T_{LD} = 25^{\circ}\text{C}$ , $B=3900$ K	9.5	10	10.5	k $\Omega$

\*Peak wavelength tolerance of +/- 2nm is available as an option.

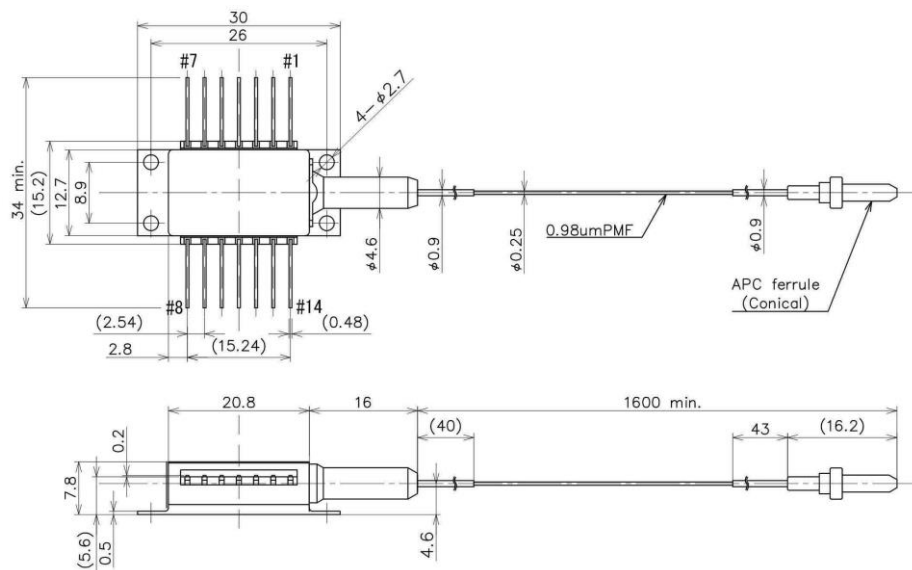
## 6. PRODUCT PART NUMBER

Part Number	Peak Wavelength	Output Power	Fiber Diameter	Connector
QLD1161-2030	1120 nm	30 mW	900 $\mu\text{m}$	FC/APC
QLD1161-2030-11			250 $\mu\text{m}$	Ferrule
QLD1161-8030	1180 nm		900 $\mu\text{m}$	FC/APC
QLD1161-8030-11			250 $\mu\text{m}$	Ferrule

## 7. OUTLINE DRAWING



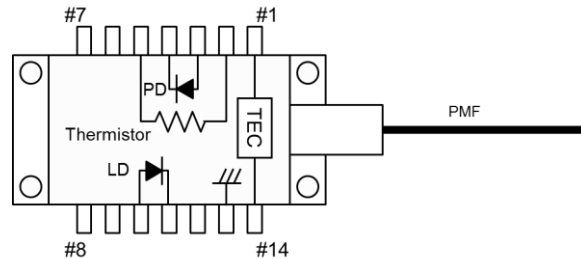
(a) 900  $\mu\text{m}$  fiber diameter and FC/APC connector type



(b) 250  $\mu\text{m}$  fiber diameter and ferrule type

## 8. PIN CONFIGURATION

No.	Description	No.	Description
1	TEC (+)	8	NC
2	Thermistor	9	NC
3	PD Anode	10	Laser Anode
4	PD Cathode	11	Laser Cathode
5	Thermistor	12	NC
6	NC	13	Case Ground
7	NC	14	TEC (-)



## 9. NOTICE

- Safety Information

This product is classified as Class 3B laser product, and complies with 21 CFR Part 1040.10.

Please do not take a look at laser lighting in operations since laser devices may cause troubles to human eyes.

Please do not eat, burn, break and make chemical process of the products since they contain GaAs material.

- Handling products


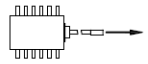

Semiconductor lasers are easily damaged by external stress such as excess temperature and ESD.

Please pay attention to handling products, and use within range of maximum ratings.

QD Laser takes no responsibility for any failure or unusual operation resulting from improper handling, or unusual physical or electrical stress.

- RoHS

This product conforms to RoHS compliance related EU Directive 2011/65/EU.

	<p>LASER DIODE</p> 
 <p>INVISIBLE LASER RADIATION AVOID DIRECTION EXPOSURE TO BEAM</p>	<p>AVOID EXPOSURE—Invisible Laser Radiation is emitted from this aperture.</p>
<p>MAXIMUM OUTPUT      300 mW WAVELENGTH      1000~1200 nm CLASS 3B LASER PRODUCT</p>	
<p>This product complies with 21 CFR Part 1040.10</p> <p><b>QD Laser, Inc.</b></p> <p>1-1 Minamiwataridacho, Kawasaki-ku, Kawasaki, Kanagawa, 210-0855 Japan</p>	

Distributed by  imm photonics

Ohmstrasse 4, 85716 Unterschleissheim, Germany

www.imm-photonics.de sales@imm-photonics.de Tel.: +49 89 / 3214120

**QD Laser, Inc.**

Contact : [info@qdlaser.com](mailto:info@qdlaser.com) <http://www.qdlaser.com>

Copyright 2013-2015 All Rights Reserved by QD Laser, Inc.

Keihin Bldg. 1F 1-1 Minamiwatarida-cho, Kawasaki-ku, Kawasaki, Kanagawa Zip 210-0855 Japan

All company or product names mentioned herein are trademarks or registered trademarks of their respective owners. Information provided in this data sheet is accurate at time of publication and is subject to change without advance notice.