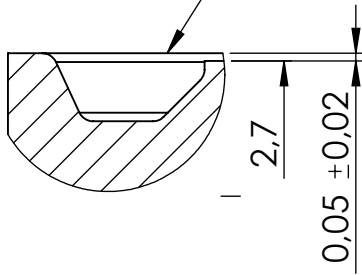
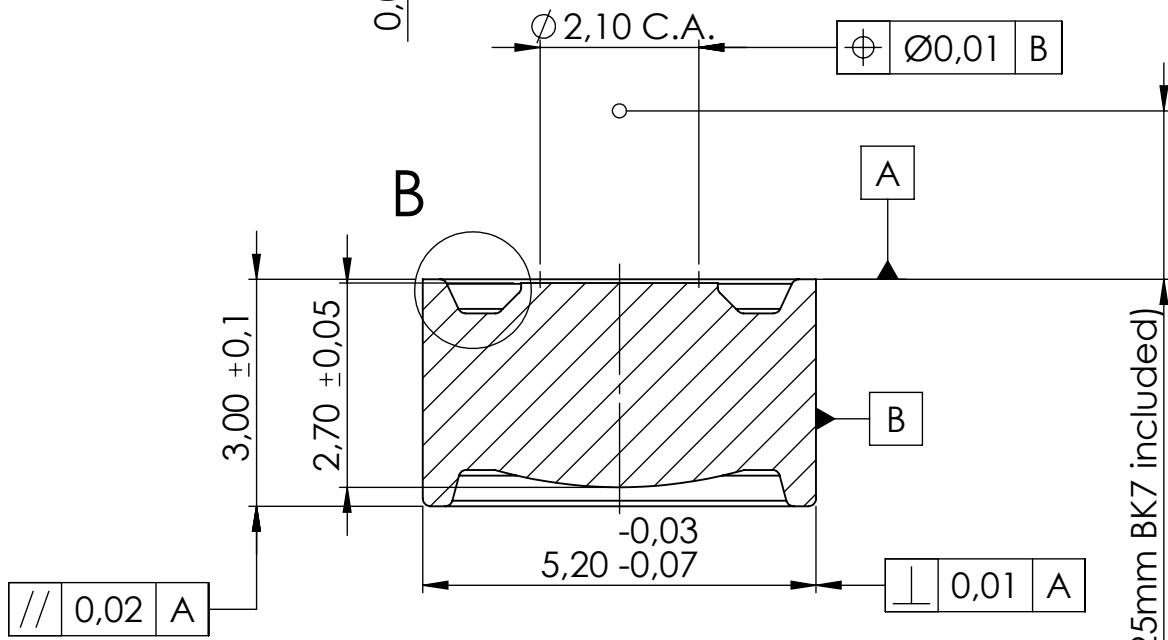


**DETAIL B  
SCALE 20 : 1**

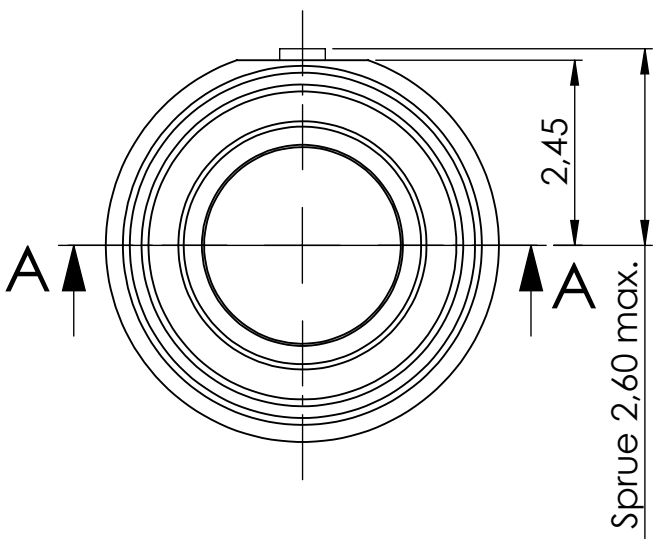
F.F.L. (3,53)



**SECTION A-A**



F.F.L. 5,53 (0,25mm BK7 included)



A		one to one copy of former paperdrawing		19.10.16	CKr
Rev.	Description	Date	By		
		<b>Unless otherwise specified:</b> - dimensions are in millimeters - all Dimensions ±0,1mm		© Viaoptic GmbH. All rights reserved. Reproduction prohibited without permission from the copyright owner.	
		Titel Lens CDW042/52			Scale 10:1
Drawn	Date	Name	Material	Weight	Part Number
Approval	20.10.2016	Söhngen	COP	1g	099-099-001-008
					Size <b>A4</b>
					Sheet 01