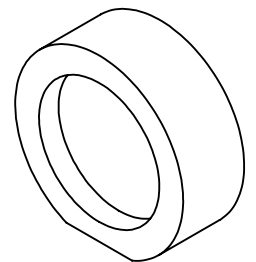
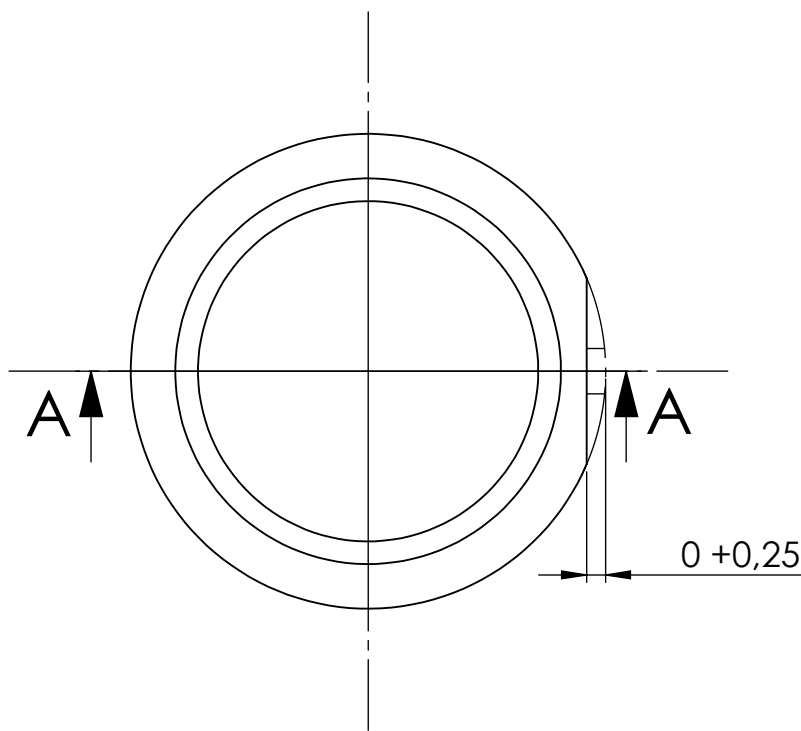
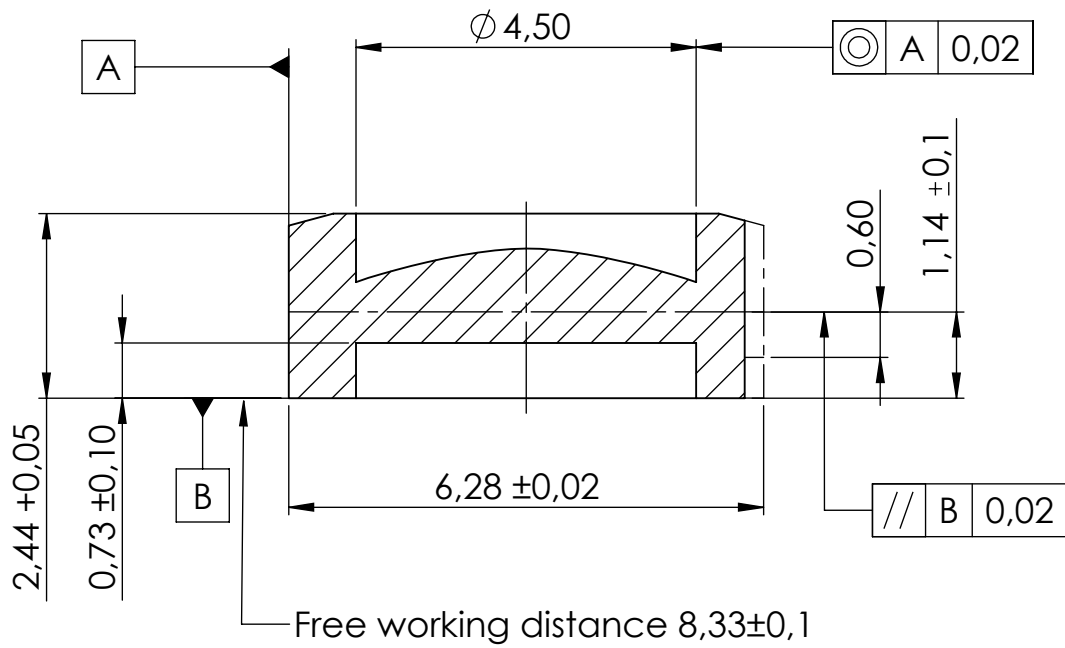
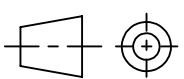



# SECTION A-A



A		one to one copy to former paperdrawing		24.08.2016	CKr	
Rev.	Description	Date	By			
		Unless otherwise specified: - dimensions are in millimeters - all Dimensions $\pm 0,1$ mm		© Viaoptic GmbH. All rights reserved. Reproduction prohibited without permission from the copyright owner.		
		Titel Lens CAX100			VIAOPTIC GMBH Am Leitz Park 1 // 35578 Wetzlar 06441/9011-0	
Date		Name		Scale		
24.08.2016		Krznicaric		10:1		
Approval		31.08.2016 Söhngen		Size		
Material		Weight		A4		
PC		1g		Sheet		
Part Number		099-099-001-003		01		