

iC-HG30

250 MHz LASER SWITCH FOR UP TO 30 A (PULSED)



Rev B4, Page 1/20

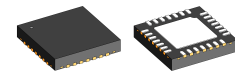
FEATURES

- ◆ Six channel laser switch from CW up to 250 MHz
- ◆ CW operation with up to 1 A per channel
- ◆ Pulsed operation with up to 5 A per channel
- ◆ Spike-free switching of the laser current
- ◆ 6 x 1 channels with TTL inputs
- ◆ 3 x 2 channels with LVDS inputs
- ◆ Operates as six independent voltage-controlled current sinks
- ◆ Outputs (LDKx) are 30 V capable for stacked laser diodes
- ◆ Simple current control at pins Clx
- ◆ Clx voltage < 3 V for full CW current
- ◆ Wide supply voltage range from 3 to 5.5 V
- ◆ All channels can be paralleled for up to 6 A CW and 30 A pulsed operation
- ◆ Open drain error output
- ◆ Thermal shutdown

APPLICATIONS

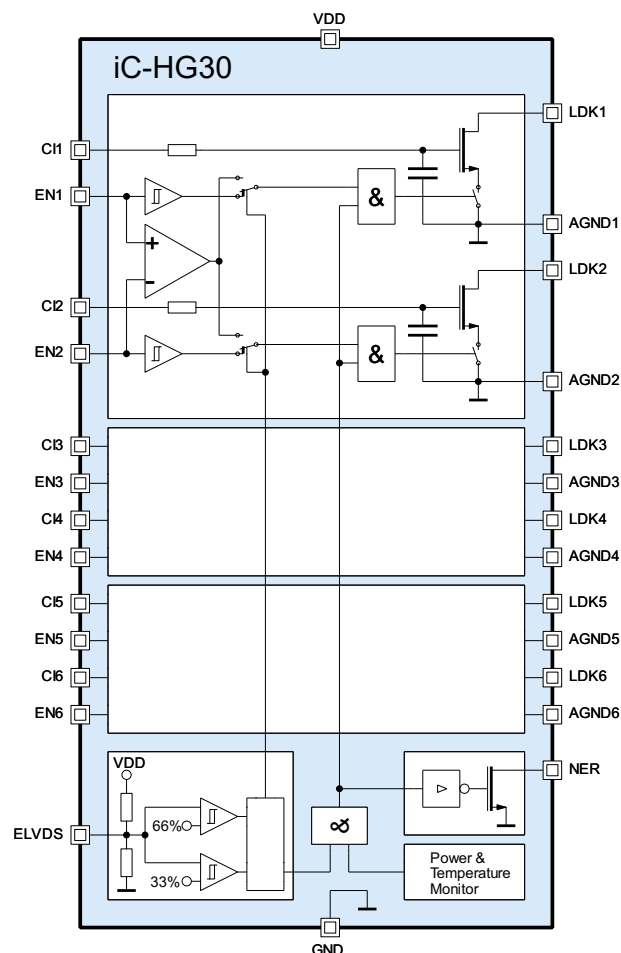
- ◆ TOF camera lighting
- ◆ LIDAR lighting
- ◆ Pump lasers
- ◆ Laser projection
- ◆ Data transmission
- ◆ Camera lighting

PACKAGES



QFN28 5 mm x 5 mm

BLOCK DIAGRAM



iC-HG30

250 MHz LASER SWITCH FOR UP TO 30 A (PULSED)



Rev B4, Page 2/20

DESCRIPTION

Six channel Laser Switch iC-HG30 enables the spike-free switching of laser diodes with well-defined current pulses at frequencies ranging from DC to 250 MHz.

The diode current is determined by the voltages at pins Clx.

The six fast switches are controlled independently via TTL inputs. Input ELVDS = hi selects LVDS type inputs and three channel mode.

The laser diode can thus be turned on and off or switched between different current levels (LDKx connected) defined by the voltages at Clx.

Each channel can be operated up to 1000 mA CW and 5000 mA pulsed current depending on the frequency, duty cycle and heat dissipation.

The integrated thermal shutdown feature protects the iC-HG30 from damage by excessive temperature.

iC-HG30 is compatible with iC-HG with LDKx voltages up to 30 V.

iC-HG30

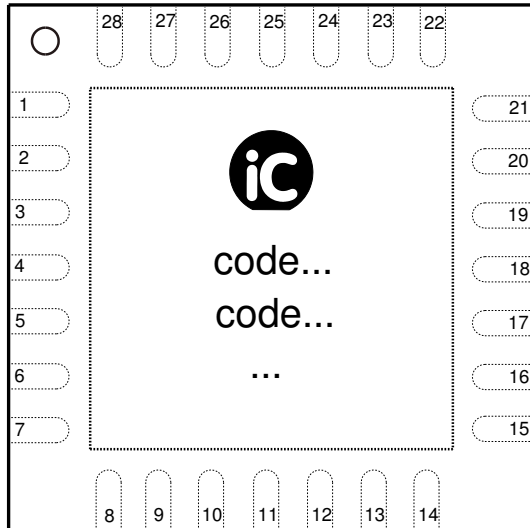
250 MHz LASER SWITCH FOR UP TO 30 A (PULSED)



Rev B4, Page 3/20

PACKAGING INFORMATION QFN28 5 mm x 5 mm to JEDEC

PIN CONFIGURATION QFN28 5 mm x 5 mm



PIN FUNCTIONS

No.	Name	Function
1	CI1	Current control voltage channel 1
2	CI2	Current control voltage channel 2
3	CI3	Current control voltage channel 3
4	GND	Ground
5	CI4	Current control voltage channel 4
6	CI5	Current control voltage channel 5
7	CI6	Current control voltage channel 6
8	AGND6	Analog ground channel 6
9	LDK6	Laser diode cathode channel 6
10	AGND5	Analog ground channel 5
11	LDK5	Laser diode cathode channel 5
12	AGND4	Analog ground channel 4
13	LDK4	Laser diode cathode channel 4
14	EN6	TTL switching input channel 6 Negative LVDS Input channel 5 and 6
15	EN5	TTL switching input channel 5 Positive LVDS Input channel 5 and 6
16	EN4	TTL switching input channel 4 Negative LVDS Input channel 3 and 4
17	EN3	TTL switching input channel 3 Positive LVDS Input channel 3 and 4
18	VDD	Supply voltage
19	ELVDS	TTL/LVDS Input selector
20	EN2	TTL switching input channel 2 Negative LVDS Input channel 1 and 2
21	EN1	TTL switching input channel 1 Positive LVDS Input channel 1 and 2
22	NER	Error monitor output
23	LDK3	Laser diode cathode channel 3
24	AGND3	Analog ground channel 3
25	LDK2	Laser diode cathode channel 2
26	AGND2	Analog ground channel 2
27	LDK1	Laser diode cathode channel 1
28	AGND1	Analog ground channel 1

The *Thermal Pad* is to be connected to a *Ground Plane* (GND, AGND1...6) on the PCB.

Only pin 1 marking on top or bottom defines the package orientation (© HG30 label and coding is subject to change).

iC-HG30

250 MHz LASER SWITCH FOR UP TO 30 A (PULSED)

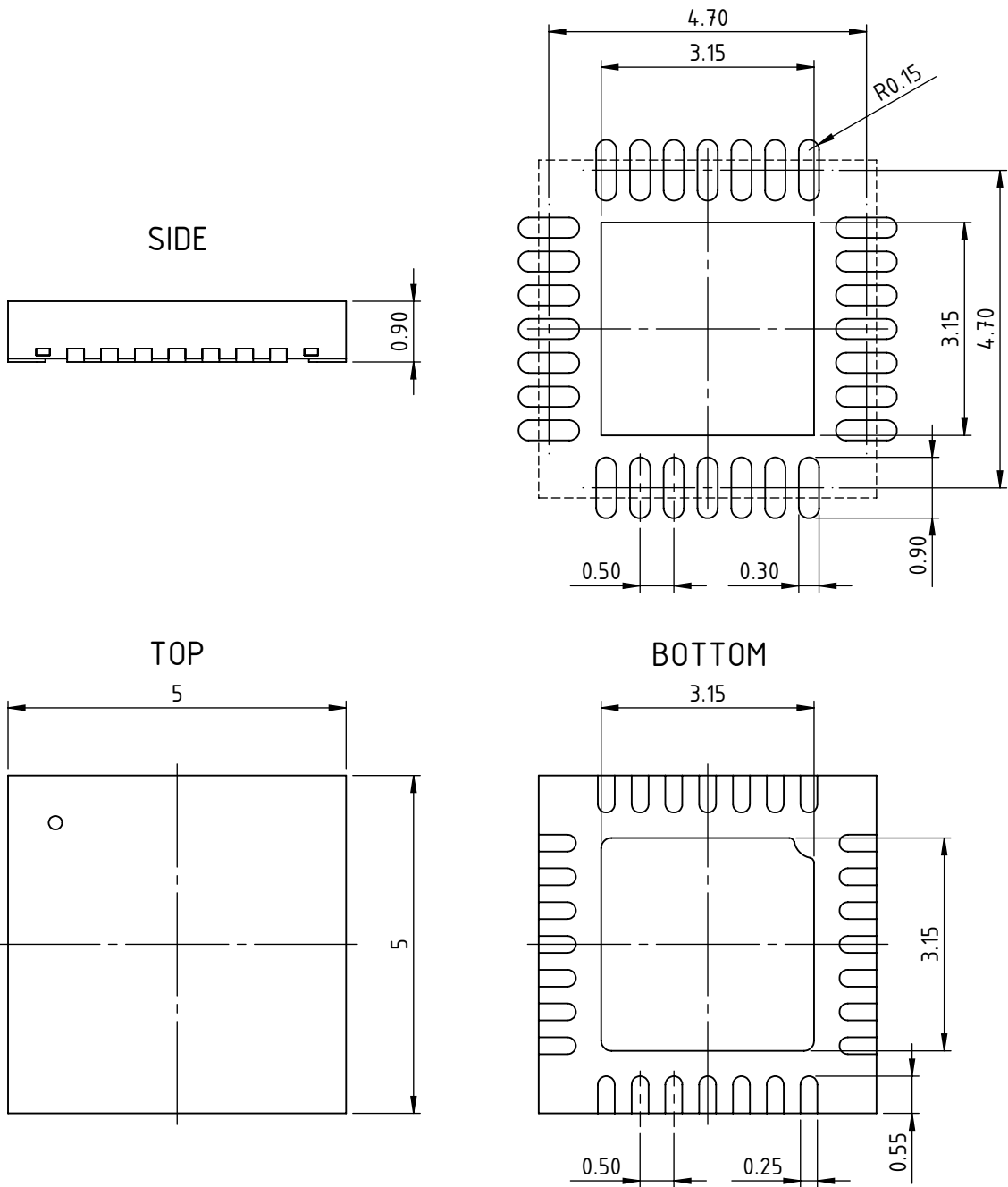


Rev B4, Page 4/20

PACKAGE DIMENSIONS QFN28-5x5

All dimensions given in mm.
This package falls within JEDEC MO-220-VHHD-1.

RECOMMENDED PCB-FOOTPRINT



drb_qfn28-2_pack_1, 10:1

iC-HG30

250 MHz LASER SWITCH FOR UP TO 30 A (PULSED)



Rev B4, Page 5/20

ABSOLUTE MAXIMUM RATINGS

Beyond these values damage may occur; device operation is not guaranteed.

Item No.	Symbol	Parameter	Conditions			Unit
				Min.	Max.	
G001	VDD	Voltage at VDD		-0.3	6	V
G002	I(VDD)	Current in VDD		-10	1200	mA
G003	V(CI)	Voltage at CI1...6		-0.3	6	V
G004	V()	Voltage at EN1...6, ELVDS, NER		-0.3	6	V
G005	V(LDK)	Voltage at LDK1...6		-0.3	28	V
G006	I(LDK)	Current in LDK1...6	DC current	-10	1000	mA
G007	I(AGND)	Current in AGND1...6	DC current	-1000	10	mA
G008	I()	Current in CI1...6, EN1...6, ELVDS		-10	10	mA
G009	I(NER)	Current in NER		-10	20	mA
G010	Vd()	ESD Susceptibility at all pins	HBM 100 pF discharged through 1.5 k Ω CDM (JEDEC Standard No. 22-C101F)		2 500	kV V
G011	Tj	Operating Junction Temperature		-40	125	$^{\circ}$ C
G012	Ts	Storage Temperature Range		-40	150	$^{\circ}$ C

THERMAL DATA

Item No.	Symbol	Parameter	Conditions				Unit
				Min.	Typ.	Max.	
T01	Ta	Operating Ambient Temperature Range		-40		85	$^{\circ}$ C
T02	Rthja	Thermal Resistance Chip/Ambient	Mounted onto the Evaluation Board HG1D		25		K/W
T03	RthjTP	Thermal Resistance Chip/Thermal Pad			4		K/W

All voltages are referenced to ground unless otherwise stated.

All currents flowing into the device pins are positive; all currents flowing out of the device pins are negative.

iC-HG30

250 MHz LASER SWITCH FOR UP TO 30 A (PULSED)



Rev B4, Page 6/20

ELECTRICAL CHARACTERISTICS

Operating Conditions: VDD = 3.0...5.5 V, AGND1...6 = GND, Tj = -40...125 °C unless otherwise stated

Item No.	Symbol	Parameter	Conditions				Unit
				Min.	Typ.	Max.	
Total Device (x = 1...6)							
001	VDD	Permissible Supply Voltage		3		5.5	V
002	I(VDD)	Supply Current in VDD	CW operation			25	mA
003	I(VDD)	Supply Current in VDD	pulsed operation, f(ENx) = 250 MHz			1000	mA
004	V(LDKx)	Permissible Voltage at LDKx	Tj = 0...125 °C	-0.3		30	V
			Tj = -25...125 °C	-0.3		29	V
			Tj = -40...125 °C	-0.3		28	V
005	V(NER)	Permissible Voltage at NER		-0.3		5.5	V
006	Vc(NER)	Clamp Voltage hi at NER	I(NER) = 1 mA, t < 100 ms	6.8	8	9.2	V
007	Vc(Clx)hi	Clamp Voltage hi at Clx	I(CI) = 1 mA, t < 100 ms, other pins open	6.8	8	9.2	V
008	Vc()hi	Clamp Voltage hi at ENx, ELVDS	I() = 1 mA, t < 100 ms, other pins open	6.8	8	9.2	V
009	Vc()lo	Clamp Voltage lo at VDD, LDKx, Clx, ENx, ELVDS, NER	I() = -10 mA, other pins open	-1.6		-0.3	V
Laser Control LDK1...6, CI1...6 (x = 1...6)							
101	Icw(LDKx)	Permissible CW Current in LDKx (per channel)				1000	mA
102	Vs(LDKx)	Saturation Voltage at LDKx	I(LDKx) = 900 mA, V(CIx) = V(CIx)@I(LDKx) = 1000 mA			2	V
103	I0(LDKx)	Leakage Current in LDKx	ENx = lo, V(LDKx) < 28 V			200	µA
104	tr()	LDKx Current Rise Time Fast	Iop(LDKx) = 1000 mA, I(LDKx): 10% → 90% Iop, V(ELVDS) = 0 V or VDD			1*	ns
105	tf()	LDKx Current Fall Time Fast	Iop(LDKx) = 1000 mA, I(LDKx): 90% → 10% Iop, V(ELVDS) = 0 V or VDD			1*	ns
106	tp()	Propagation Delay V(ENx) → I(LDKx)	V(ELVDS) = 0 V or VDD, Differential LVDS Rise and Fall Time < 0.5 ns	3	5	14	ns
107	CR()	Current Matching all Channels		0.9		1.1	
108	V(CIx)	Permissible Voltage at Clx		-0.3		5.5	V
109	Vt(CIx)	Threshold Voltage at Clx	I(LDKx) < 5 mA	0.5		1.2	V
110	V(CIx)	Operating Voltage at Clx	I(LDKx) = 1000 mA, V(LDKx) > 2.3 V		2	2.9	V
111	R(CIx)	Pull-down resistor at CI		200	500	1250	kΩ
112	C(CIx)	Capacity at Clx	V(CIx) = 2 V		1100		pF
113	Vc(LDKx)	Clamp Voltage at LDKx	I(LDKx) = 100 mA, tclamp < 100 ms, tclamp/T < 1:100				
			Tj = 0...125 °C	30.1		45	V
			Tj = -25...125 °C	29.1		45	V
			Tj = -40...125 °C	28.1		45	V
114	tskc()	Channel to Channel Skew				160†	ps
115	tskp()	Part to Part Skew	best to worst			4†	ns
Input EN1...6 (x = 1...6)							
201	Vt(TTL)hi	Input Threshold Voltage hi	V(ELVDS) < 20% VDD, TTL			2	V
202	Vt(TTL)lo	Input Threshold Voltage lo	V(ELVDS) < 20% VDD, TTL	0.8			V
203	Vhys(TTL)	Hysteresis	Vhys() = Vt(hi) - Vt(lo); V(ELVDS) < 20% VDD, TTL	50			mV
204	R(ENx)	Pull-Down Resistor	V(ELVDS) < 20% VDD, TTL	80	200	500	kΩ
205	R(EN1,3,5)	Pull-Down Resistor	V(ELVDS) > 80% VDD, LVDS	80	200	500	kΩ
206	R(EN2,4,6)	Pull-UP Resistor	V(ELVDS) > 80% VDD, LVDS	80	200	500	kΩ
207	Vdiff	Differential Voltage	Vdiff = V(EN1,3,5) - V(EN2,4,6) ; V(ELVDS) > 80% VDD, LVDS	200			mV
208	V()	Input Voltage Range	V(ELVDS) > 80% VDD, LVDS	-0.2		VDD + 0.2	V
209	C()	Input Capacitance at ENx			2.2†		pF

* Projected values by sample characterization

† Projected values by simulation

iC-HG30

250 MHz LASER SWITCH FOR UP TO 30 A (PULSED)



Rev B4, Page 7/20

ELECTRICAL CHARACTERISTICS

Operating Conditions: VDD = 3.0...5.5 V, AGND1...6 = GND, Tj = -40...125 °C unless otherwise stated

Item No.	Symbol	Parameter	Conditions				Unit
				Min.	Typ.	Max.	
Input ELVDS							
301	V(ELVDS)	Voltage at ELVDS	ELVDS open	48	50	52	%VDD
302	Ri(ELVDS)			30	50	80	kΩ
303	Vt(ELVDS)	Threshold Voltage TTL to Error		25	33	40	%VDD
304	Vt(ELVDS)	Threshold Voltage Error to LVDS		59	66	73	%VDD
305	Vhys()	Hysteresis		10	25	100	mV
Output NER							
401	Vsat(NER)	Saturation Voltage at NER	ELVDS open, I(NER) = 2 mA			0.6	V
402	I(NER)	Current in NER	ELVDS open, V(NER) > 0.6 V	3	9	20	mA
Overtemperature							
501	Toff	Overtemperature Shutdown	rising temperature	130		170	°C
502	Ton	Overtemperature Release	falling temperature	120		160	°C
503	Thys	Hysteresis	Toff – Ton	5			°C
Power On							
601	VON	Power On Voltage VDD	rising voltage			2.9	V
602	VOFF	Power Down Voltage VDD	falling voltage	1.2			V
603	Vhys	Hysteresis		50		800	mV

CONFIGURATION INPUT ELVDS

Pin ELVDS selects between *6 channel TTL mode* or *3 channel LVDS mode*. The unconnected pin ELVDS is an error condition signaled at pin NER with the laser current disabled.

Pin ELVDS connected to GND selects the six channel fast TTL mode. Pin ELVDS connected to VDD selects the three channel fast LVDS mode.

DIGITAL INPUTS EN1...6

EN1...6 are the digital switching inputs. With pin ELVDS set to *6 channel TTL mode*, each pin ENx enables the current sink at the respective LDKx. With pin ELVDS set to *3 channel LVDS mode*, the odd ENx pins are the positive and the even ENx pins are the negative LVDS inputs. EN1 and EN2 control LDK1 and LDK2, EN3 and EN4 control LDK3 and LDK4 and EN5 and EN6

control LDK5 and LDK6. For correct LVDS operation $100\ \Omega$ terminating resistors between the respective EPx and ENx pins, very close to the inputs, are strongly recommended. Input pins from unused channels have to be connected to GND (TTL operation) resp. EPx to GND and ENx to VDD (LVDS operation).

ANALOG CURRENT CONTROL VOLTAGE INPUTS CI1...6

The voltage at pins CI1...6 sets the current in pins LDK1...6. Figures 1 and 2 show the temperature dependency of the current in a single LDKx output versus the

voltage at Cix for a *typical* device. Figures 3 and 4 show the min., typ. and max. variations between devices at $27\ ^\circ\text{C}$ temperature. The voltage at pins LDKx is 2.5 V.

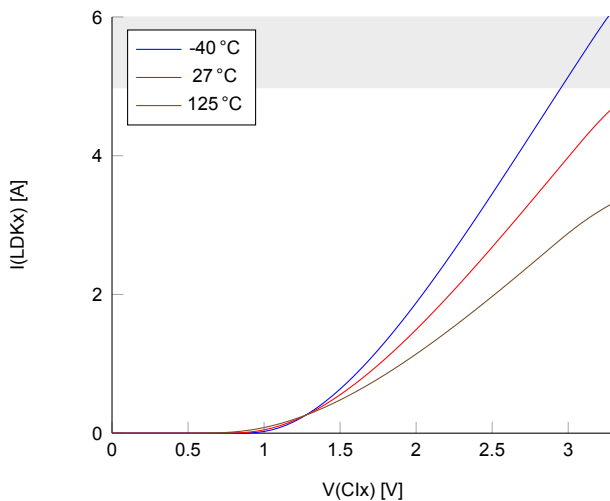


Figure 1: $I(\text{LDKx})$ vs. $V(\text{Cix})$ at $V_{\text{DD}} = 3.3\ \text{V}$

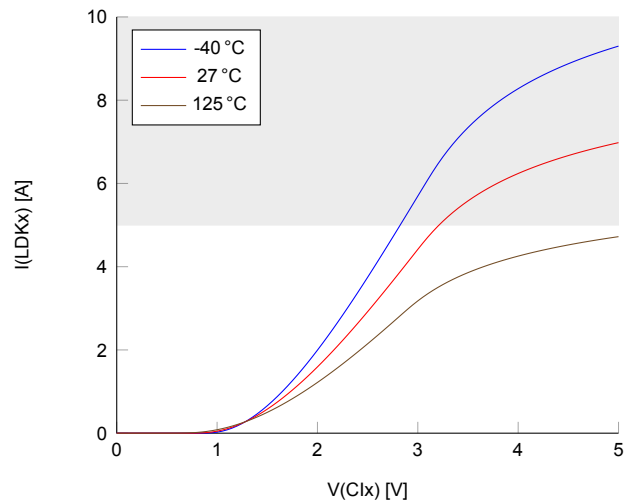


Figure 2: $I(\text{LDKx})$ vs. $V(\text{Cix})$ at $V_{\text{DD}} = 5\ \text{V}$

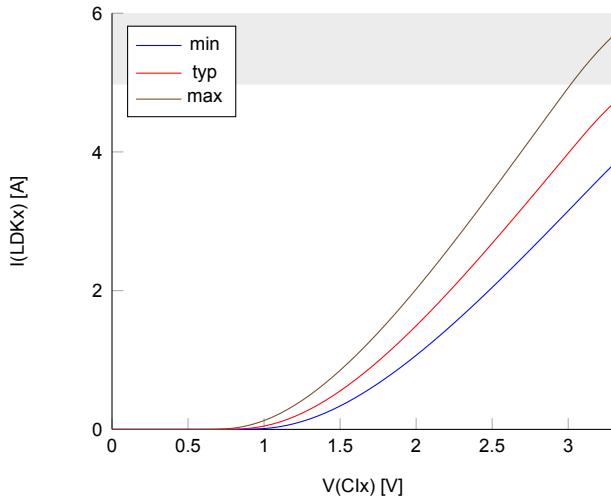


Figure 3: I(LDKx) vs. V(Clx) at VDD = 3.3 V

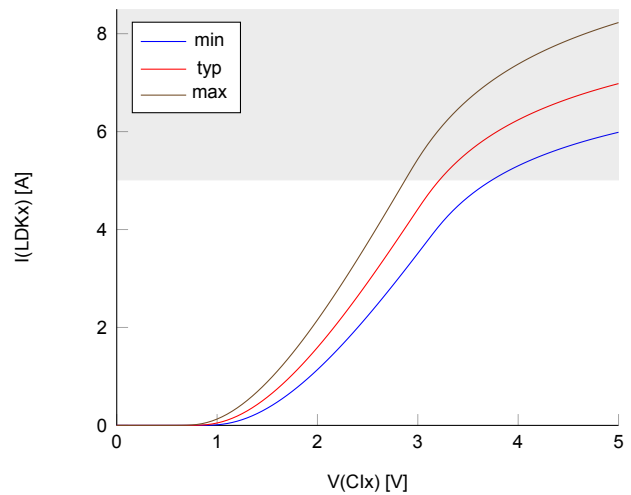


Figure 4: I(LDKx) vs. V(Clx) at VDD = 5 V

LASER OUTPUTS LDK1...6

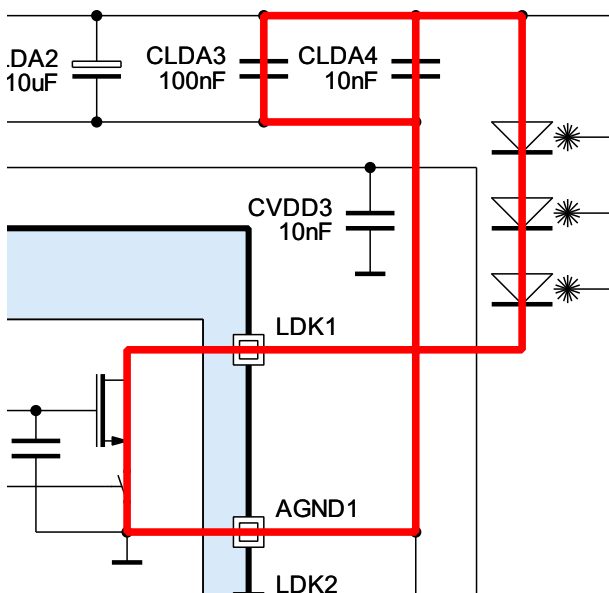


Figure 5: Current loop

LDK1...6 are the current outputs for the laser diode cathode. For high speed operation, connect the laser diode as close as possible to this pins to minimize the inductance. To ensure a high switching speed, it is important to minimise the inductance of the whole current loop (cf. Figure 5, marked red) consisting of iC-HG30 (pins LDKx and AGNDx), the laser diode (anode and cathode), the bypass capacitors as well as the enclosed area. It may still be necessary though to use an R/C snubber network for damping L/C oscillations.

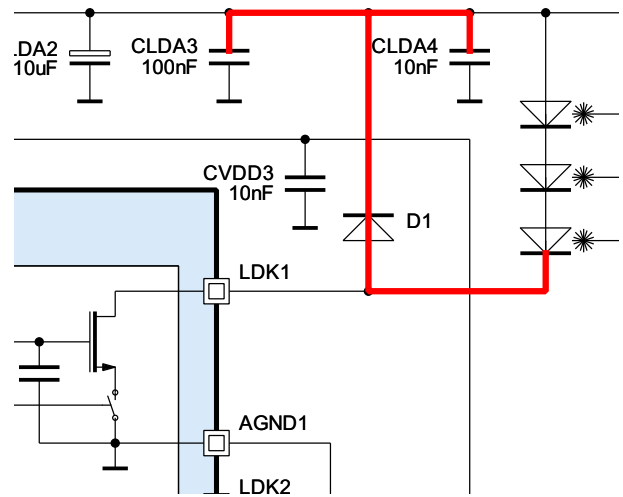


Figure 6: Free-wheeling diode

Depending on the residual inductance in the laser current path and the actual laser current, fast free-wheeling diodes from LDKx to VLDA may be required (cf. Figure 6, diode D1) to protect the outputs. The anode of the free-wheeling diode should be close to the to be protected LDKx output and the cathode close to the bypass capacitors at VLDA for the free-wheeling current to be dumped into, when switching the respective channel off.

Figure 7 shows the typical output characteristics of LDK. The left hand side of the diagram is the RDSon region where the current depends strongly on the voltage at LDK. The right hand side of the diagram is the current

iC-HG30

250 MHz LASER SWITCH FOR UP TO 30 A (PULSED)



Rev B4, Page 10/20

source region where the current depends only somewhat on the voltage at LDK. Only the current source region is to be used.

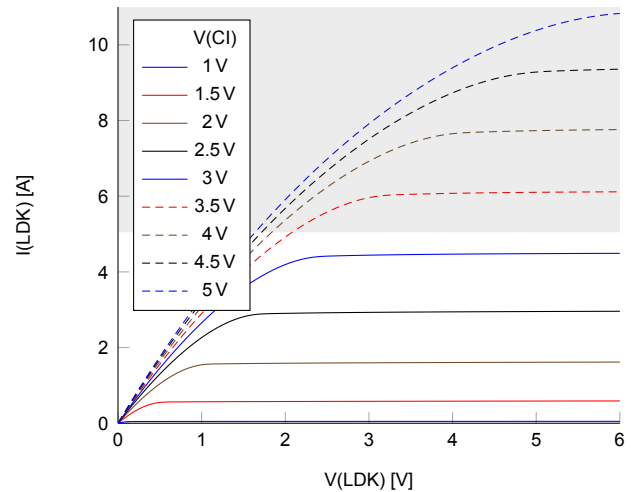


Figure 7: Output characteristics of LDK

PULSED OPERATION

The current for pulsed operation may be higher than for CW operation. Therefore the RMS current of the pulse train has to be considered.

With $I_{CW_{max}}$ from Electrical Characteristics No. 101 and pulses $< 10 \mu s$. So for a single channel operated with a 50% duty cycle, the max. laser current becomes:

$$I_{pulse_{max}} = I_{CW_{max}} \cdot \sqrt{\frac{repetition\ time(T)}{pulse\ time(t)}} \quad (1)$$

$$I_{pulse_{max}} = 1000\ mA \cdot \sqrt{2} = 1414\ mA$$

iC-HG30

250 MHz LASER SWITCH FOR UP TO 30 A (PULSED)



Rev B4, Page 11/20

PULSE TRAINS AND BURSTS

When operated with pulse trains or bursts at higher frequency (e.g. 30 MHz), it is strongly advised to add a small resistor (RVDD) into the VDD line as per Figure 8 to effectively suppress resonances.

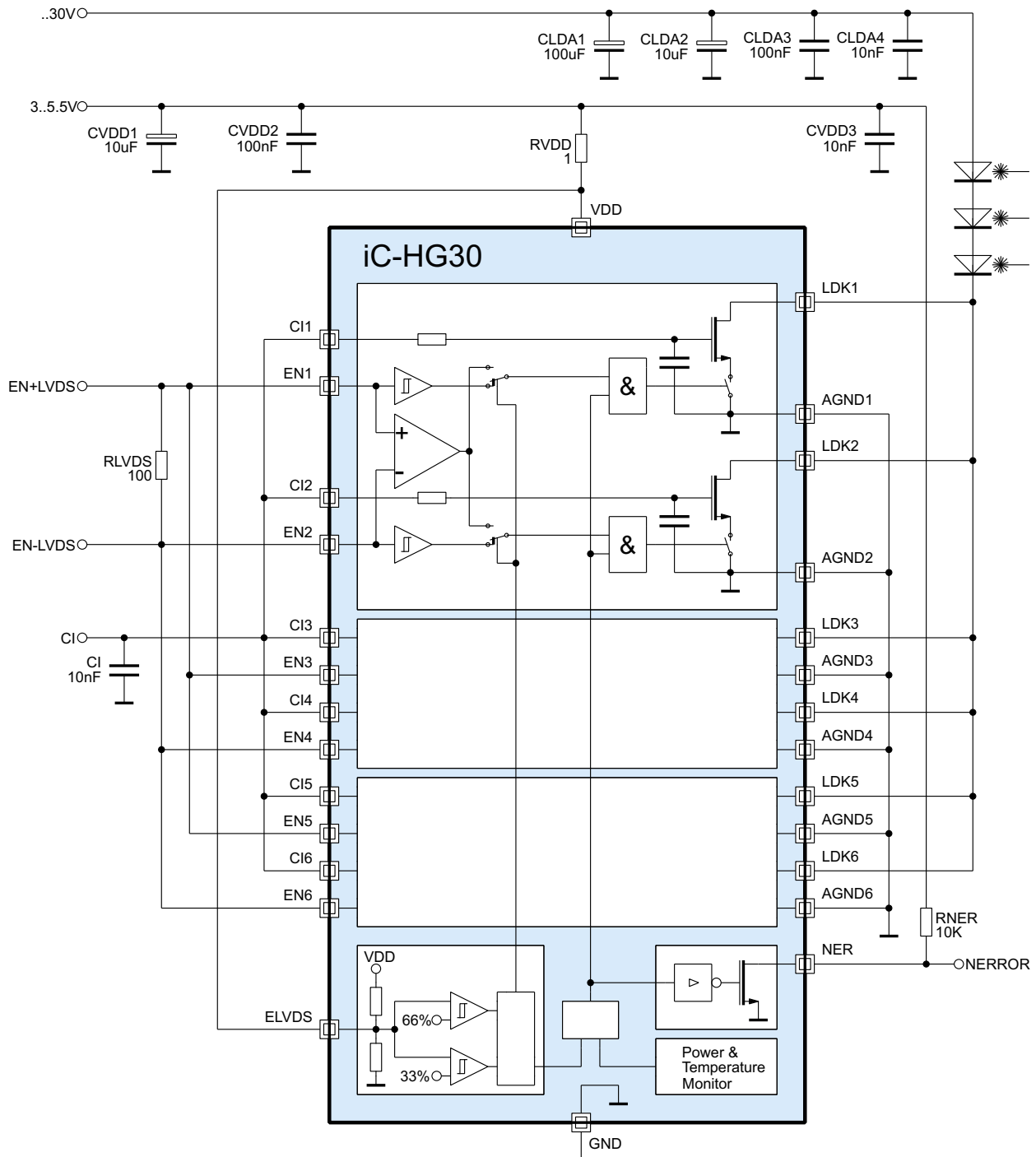


Figure 8: Configuration example for pulse trains and bursts

iC-HG30

250 MHz LASER SWITCH FOR UP TO 30 A (PULSED)



Rev B4, Page 12/20

ANALOG GROUNDS AGND1...6

AGND1...6 are the ground pins for the channels. It is recommended to connect all AGND1...6 pins to GND.

ERROR OUTPUT NER

The open drain pin NER is a low-active error output. Signalled errors are ELVDS open or at 50% VDD, VDD undervoltage and thermal shutdown.

THERMAL SHUTDOWN

iC-HG30 is protected by an integrated thermal shutdown feature. When the shutdown temperature is reached all channels are disabled. Falling temperature after this shutdown will unconditionally enable all channels again. Necessary precaution to prevent dam-

age of the laser may be to also disable any external control circuits for the laser output power or current control during thermal shutdown. The error signal at pin NER can be used to e.g. disable the control circuit.

iC-HG30

250 MHz LASER SWITCH FOR UP TO 30 A (PULSED)



Rev B4, Page 13/20

APPLICATION EXAMPLES

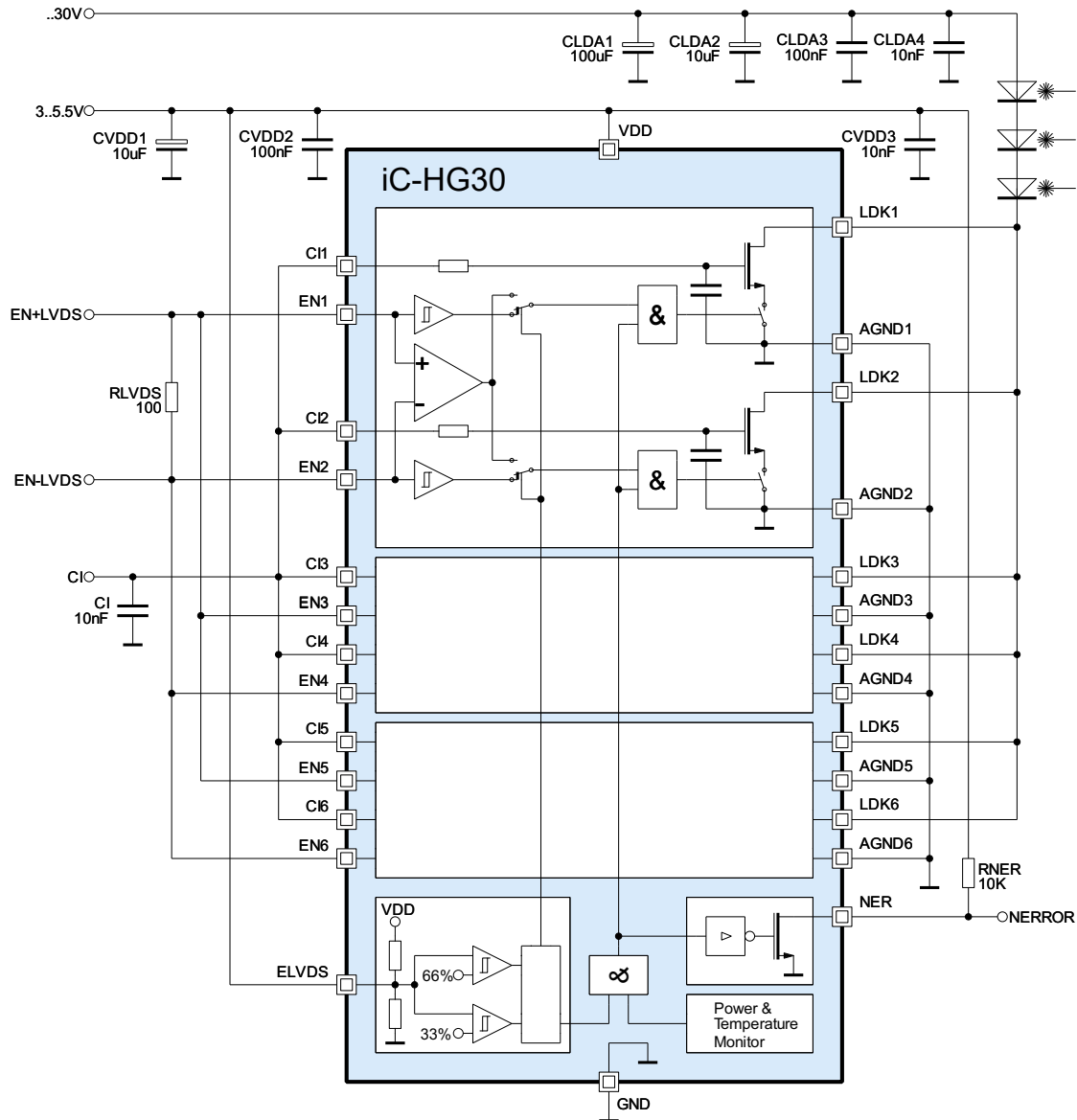


Figure 9: 1 channel LVDS. RVDD (1 Ohm) recommended (see Figure 8).

iC-HG30

250 MHz LASER SWITCH FOR UP TO 30 A (PULSED)



Rev B4, Page 14/20

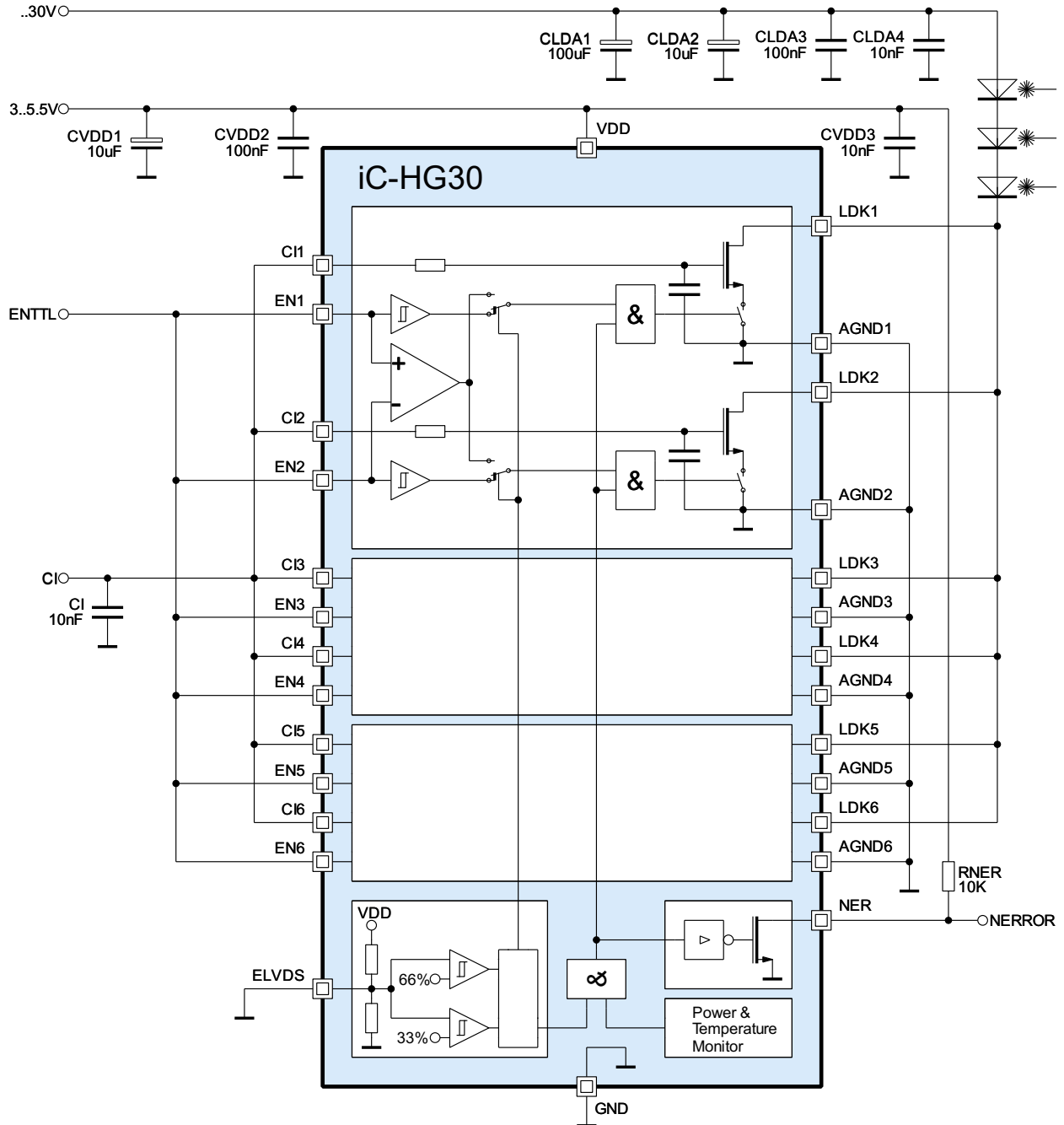


Figure 10: 1 channel TTL. RVDD (1 Ohm) recommended (see Figure 8).

iC-HG30

250 MHz LASER SWITCH FOR UP TO 30 A (PULSED)



Rev B4, Page 15/20

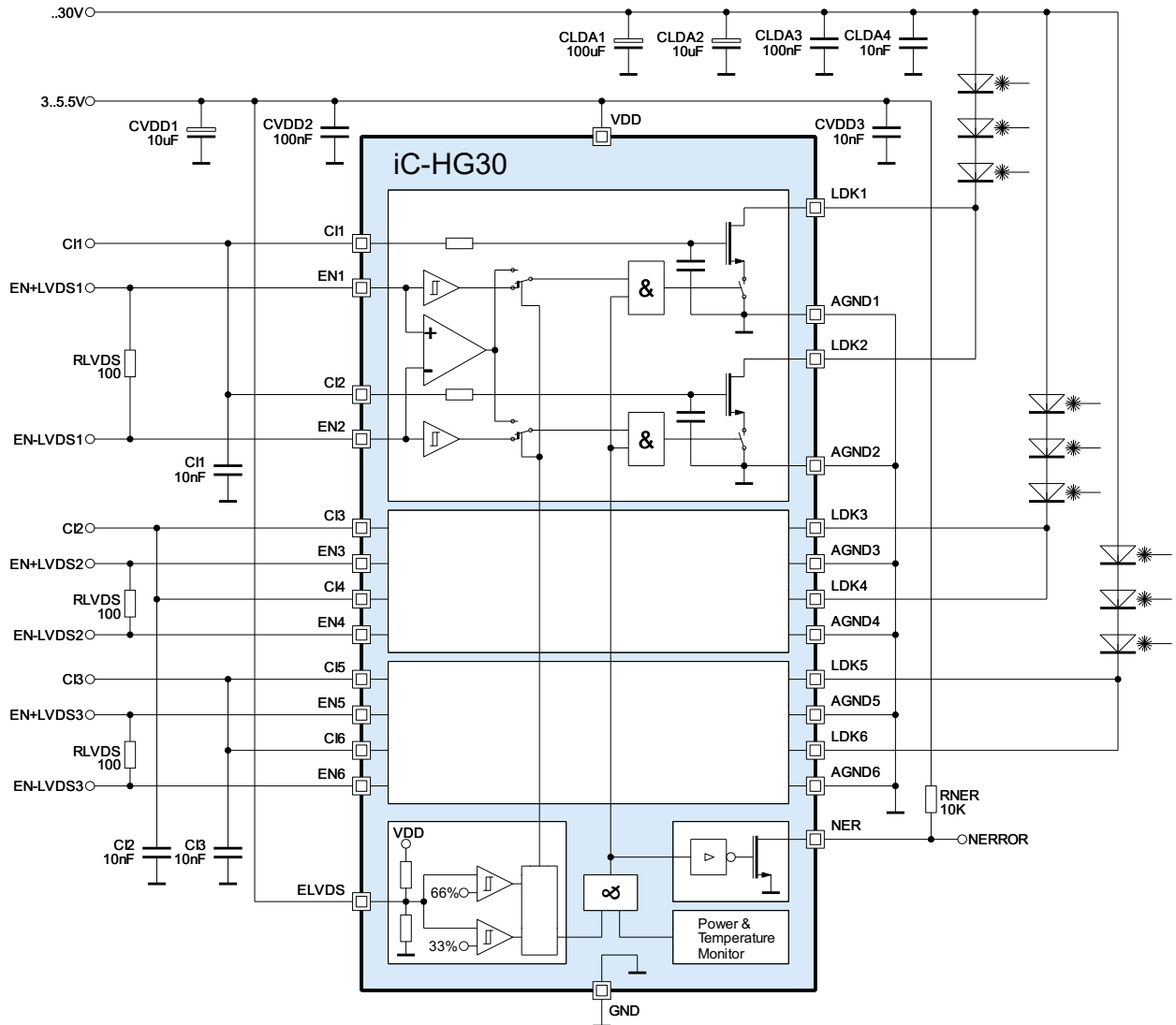


Figure 11: 3 channel LVDS. RVDD (1 Ohm) recommended (see Figure 8).

iC-HG30

250 MHz LASER SWITCH FOR UP TO 30 A (PULSED)



Rev B4, Page 16/20

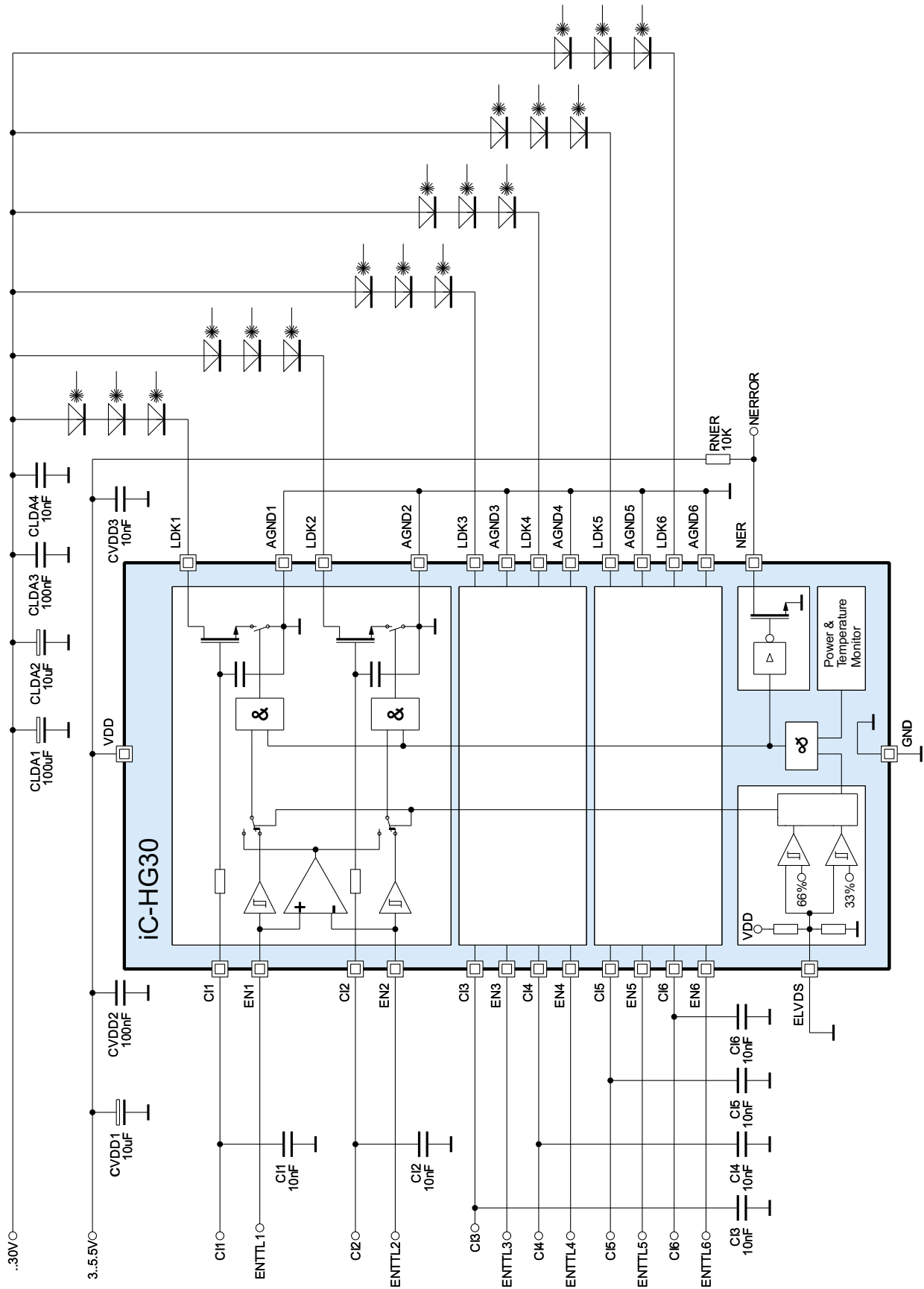


Figure 12: 6 channel TTL. RVDD (1 Ohm) recommended (see Figure 8).

iC-HG30

250 MHz LASER SWITCH FOR UP TO 30 A (PULSED)



Rev B4, Page 17/20

EVALUATION BOARD

iC-HG30 comes with the iC-HG evaluation board for test purpose. Figures 13 and 14 show both the schematic and the component side of the evaluation board.

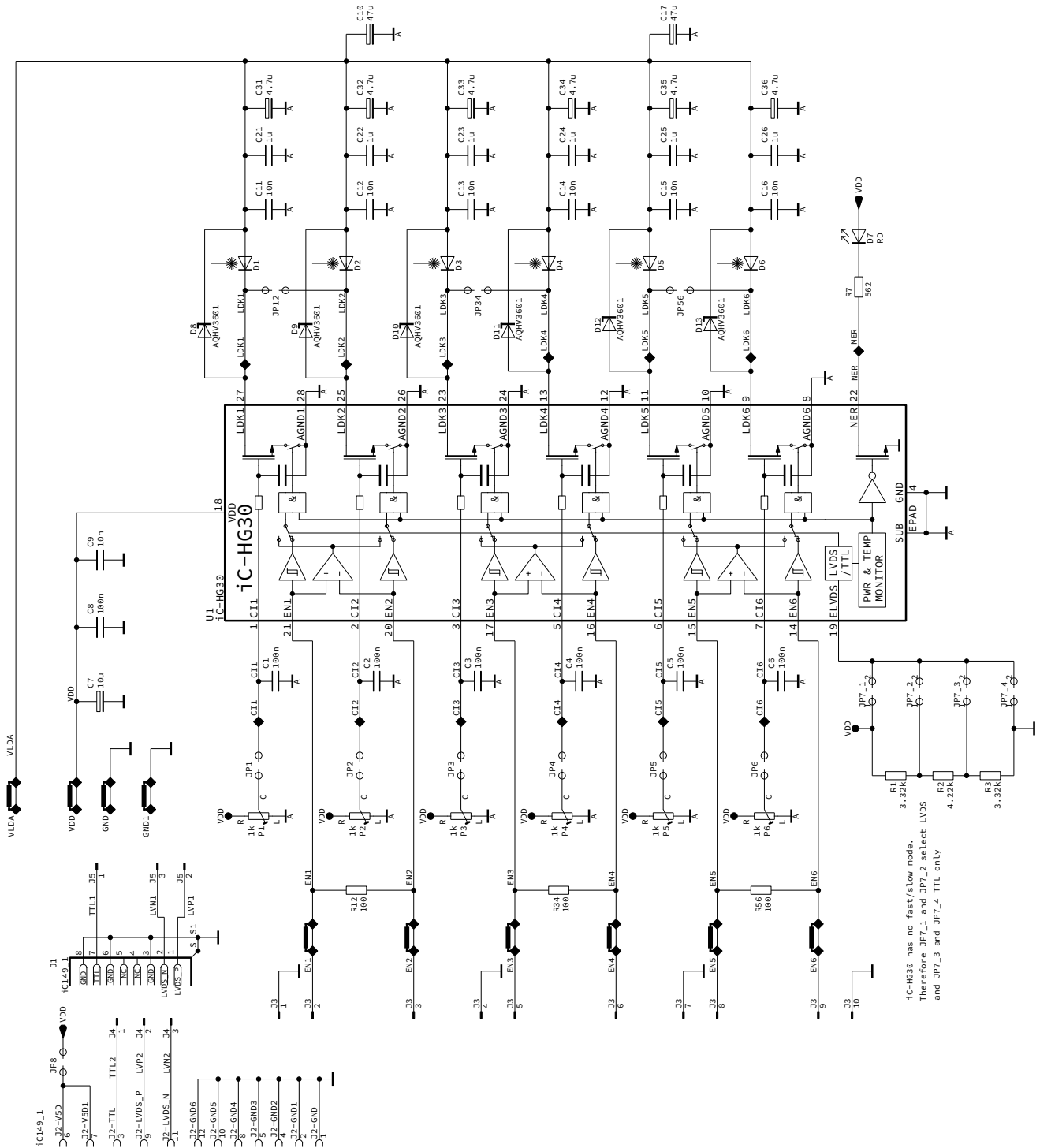


Figure 13: Schematic of the evaluation board. Shown without RVDD (for intrinsic parameter and functionality evaluation purposes).

iC-HG30

250 MHz LASER SWITCH FOR UP TO 30 A (PULSED)



Rev B4, Page 18/20

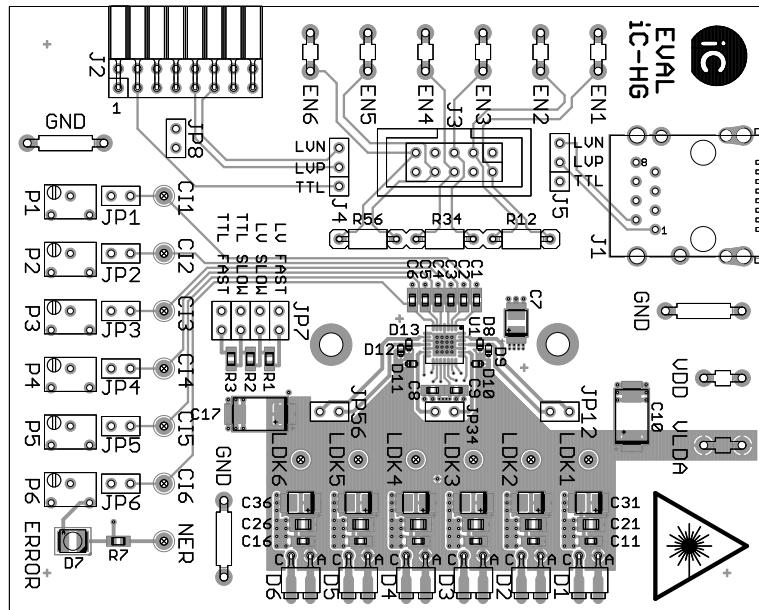


Figure 14: Evaluation board (component side). Not equipped with RVDD (for intrinsic parameter and functionality evaluation purposes).

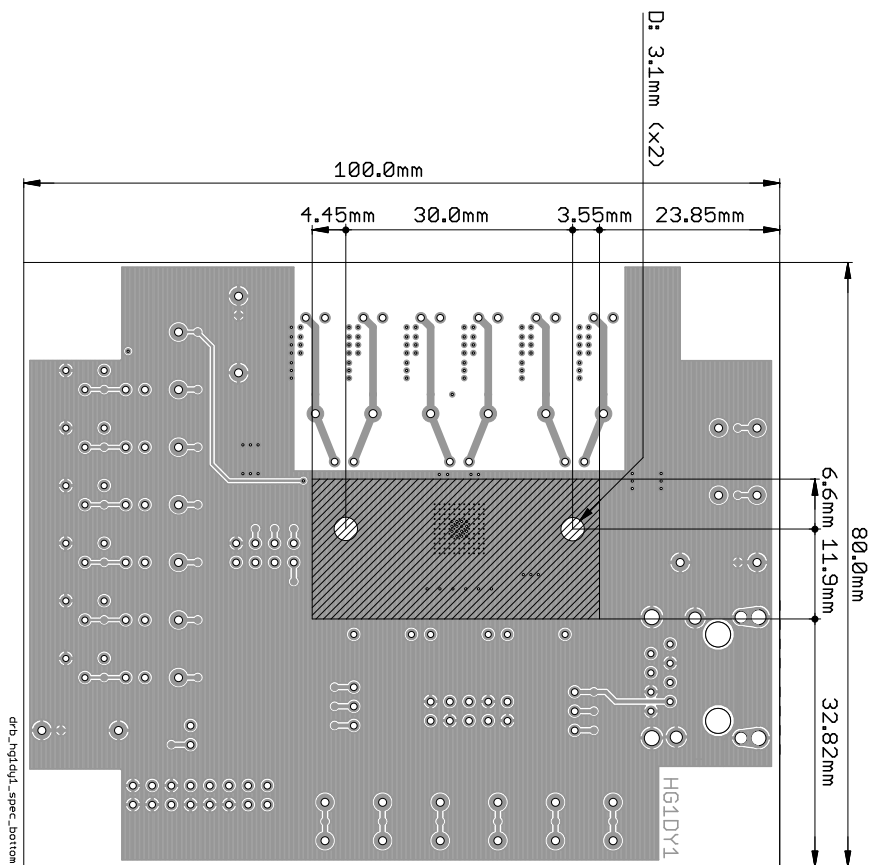


Figure 15: Evaluation board (solder side) with mounting option for heat sink

DESIGN REVIEW: Notes on Chip Functions

iC-HG30 X1		
No.	Function, Parameter/Code	Description and Application Notes
1	Pulse Trains and Bursts	Improved on-chip suppression of resonances in VDD, when operated with pulse trains or bursts. RVDD is still recommended (Fig. 8).

Table 1: Notes on chip functions regarding iC-HG30 chip release X1

REVISION HISTORY

Rel.	Rel. Date [‡]	Chapter	Modification	Page
A1	2019-10-11		Initial release	all

Rel.	Rel. Date [‡]	Chapter	Modification	Page
B1	2020-06-08	THERMAL DATA	Ta expanded to -40 °C	5
		ELECTRICAL CHARACTERISTICS	Items No. 004 and 113 expanded to -40 °C	6
		ELECTRICAL CHARACTERISTICS	Items. No. 007, 008, 009 relaxed	6

Rel.	Rel. Date [‡]	Chapter	Modification	Page
B2	2022-08-03	ABSOLUTE MAXIMUM RATINGS	Item No. G010 (ESD Susceptibility) extended to 4 kV	5
		PULSE TRAINS AND BURSTS	New	11
		APPLICATION EXAMPLES	Recommendation for RVDD added to Fig. 9, 10, 11, 12	13, 14, 15, 16
		EVALUATION BOARD	Notice on non-included RVDD in schematic (Fig 13) and board layout (Fig. 14)	17, 18

Rel.	Rel. Date [‡]	Chapter	Modification	Page
B3	2022-12-06	DESIGN REVIEW: Notes on Chip Functions	Design review added for chip revision X1	19

Rel.	Rel. Date [‡]	Chapter	Modification	Page
B4	2023-11-24	ABSOLUTE MAXIMUM RATINGS	Item No. G010 updated and CDM added	5
		ELECTRICAL CHARACTERISTICS	Item No. 209 added	6

iC-Haus expressly reserves the right to change its products, specifications and related supplements (together the Documents). A Datasheet Update Notification (DUN) gives details as to any amendments and additions made to the relevant Documents on our internet website www.ichaus.com/DUN and is automatically generated and shall be sent to registered users by email.

Copying – even as an excerpt – is only permitted with iC-Haus' approval in writing and precise reference to source.

The data and predicted functionality is intended solely for the purpose of product description and shall represent the usual quality and behaviour of the product. In case the Documents contain obvious mistakes e.g. in writing or calculation, iC-Haus reserves the right to correct the Documents and no liability arises insofar that the Documents were from a third party view obviously not reliable. There shall be no claims based on defects as to quality and behaviour in cases of insignificant deviations from the Documents or in case of only minor impairment of usability.

No representations or warranties, either expressed or implied, of merchantability, fitness for a particular purpose or of any other nature are made hereunder with respect to information/specification resp. Documents or the products to which information refers and no guarantee with respect to compliance to the intended use is given. In particular, this also applies to the stated possible applications or areas of applications of the product.

iC-Haus products are not designed for and must not be used in connection with any applications where the failure of such products would reasonably be expected to result in significant personal injury or death (*Safety-Critical Applications*) without iC-Haus' specific written consent. Safety-Critical Applications include, without limitation, life support devices and systems. iC-Haus products are not designed nor intended for use in military or aerospace applications or environments or in automotive applications unless specifically designated for such use by iC-Haus.

iC-Haus conveys no patent, copyright, mask work right or other trade mark right to this product. iC-Haus assumes no liability for any patent and/or other trade mark rights of a third party resulting from processing or handling of the product and/or any other use of the product.

Software and its documentation is provided by iC-Haus GmbH or contributors "AS IS" and is subject to the ZVEI General Conditions for the Supply of Products and Services with iC-Haus amendments and the ZVEI Software clause with iC-Haus amendments (www.ichaus.com/EULA).

[‡] Release Date format: YYYY-MM-DD

iC-HG30

250 MHz LASER SWITCH FOR UP TO 30 A (PULSED)



Rev B4, Page 20/20

ORDERING INFORMATION

Type	Package	Options	Order Designation
iC-HG30	QFN28 5 mm x 5 mm		iC-HG30 QFN28-5x5
	General Purpose Evaluation Board		iC-HG30 EVAL HG1D
	Host adapter for high-speed modules	heat-sink assembly kit	iC-HG EVAL HG2D
	Host adapter for high-speed modules		iC-HG EVAL HG2D-HSK
	High-speed module for TO type laser diodes		iC-HG30 iCSY HG8M
	High-speed module for SMD type VCSEL arrays, laser diodes or LEDs		iC-HG30 iCSY HG20M
High-speed module for SMD type VCSEL arrays, laser diodes or LEDs (alternative pad layout)		iC-HG30 iCSY HG21M	

Please send your purchase orders to our order handling team:

Fax: +49 (0) 61 35 - 92 92 - 692

E-Mail: dispo@ichaus.com

For technical support, information about prices and terms of delivery please contact:

iC-Haus GmbH
Am Kuemmerling 18
D-55294 Bodenheim
GERMANY

Tel.: +49 (0) 61 35 - 92 92 - 0
Fax: +49 (0) 61 35 - 92 92 - 192
Web: <https://www.ichaus.com>
E-Mail: sales@ichaus.com

Appointed local distributors: https://www.ichaus.com/sales_partners